

Actuator BD23

BD23 is a quiet and robust actuator, with its speed well-maintained either with or without load. Besides, BD23 can be presented with its cable coming either on the front or the rear end, depending on your choice, and is designed to be connected to the handset and power supply to make up a simple system without control box for furniture applications like recliner sofa.



Feature

- Main applications: Furniture
- Input voltage: 24V DC
- Max. load: 1500N (Push / Pull)
- Max. speed at no load: 40 mm/sec
- Max. speed at full load: 33 mm/sec @ 1500N
- Stroke: 40 ~ 230 mm
- Noise level: ≤ 53 dB
- Color: Black
- Preset limit switches
- Duty cycle: 10%, max. 2 min. continuous operation in 20 min.
- Ambient operation temperature: -20°C ~ +65°C
- Certified: CE Marking, EMC Directive 2014/30/EU

Option

- Location of cable outlet (refer to page 5)
- Different cable length (refer to page 5)
- Pivot orientation 90° turned for rear connector
- There are 3 plastic nut type can be chosen

Compatibility

Product	Model	BD23 spec
Seating frame (Not included in Moteck product scope)	6054	BD23-B2-24-N4-175.475-R4
	5181	BD23-C2-24-W6-156.360-F4
	368TX	BD23-R2-24-N4-156.360-F4
Control-handset	HB, H2G, TPSG	With Moteck dedicated cable DL1 (Fig. 1)
Control-hand switch	HR, HS02, HZ02, HZ03, HZ04, HZ05, HZ06	
Accessory	Switching mode power supply: TSW1, TSW5	

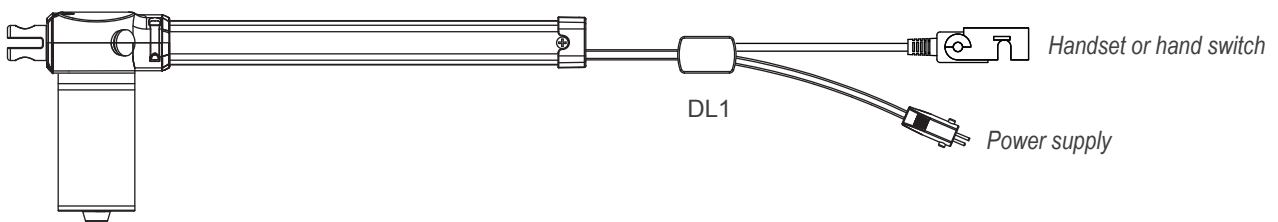
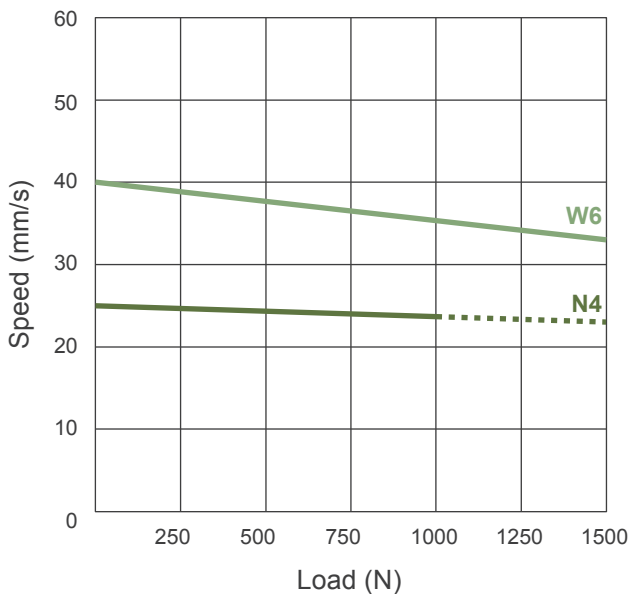


Fig.1 Dedicated cable DL1 to connect to power supply and control, without control box.

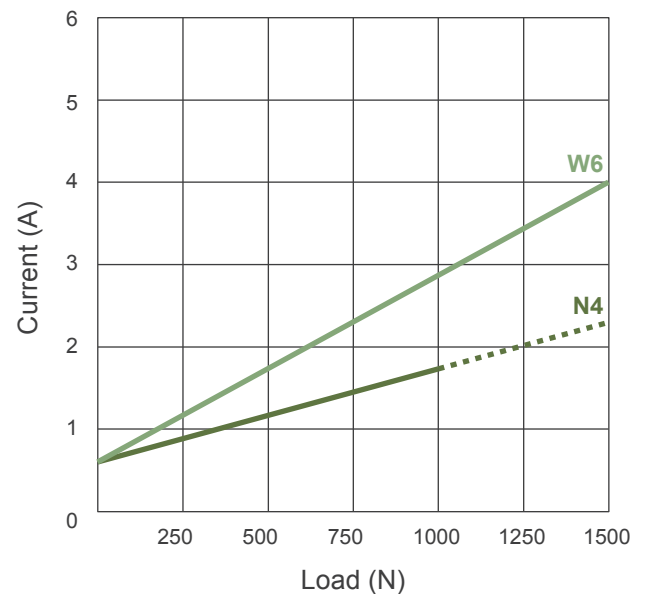
Performance Data

Model No.	Push Max. (N)	Pull Max. (N)	Typical Speed (mm/s)		Typical Current (A) @ 29V	
			No load	Full load	No load	Full load
BD23-XX-24-N4-XXX.XXX-XX	1500	1000	25	23	0.6	2.3
BD23-XX-24-W6-XXX.XXX-XX	1500	1500	40	33	0.6	4.0

Speed vs. Load



Current vs. Load

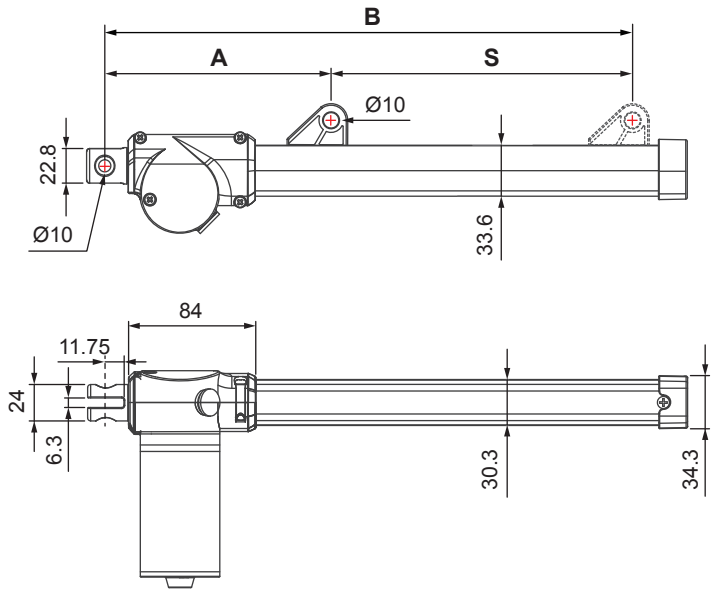
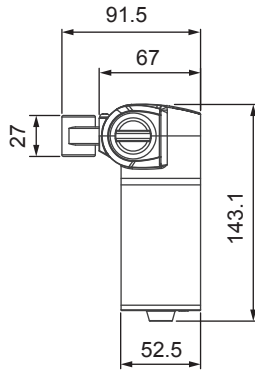


Push / Pull Load — Push Load - - -

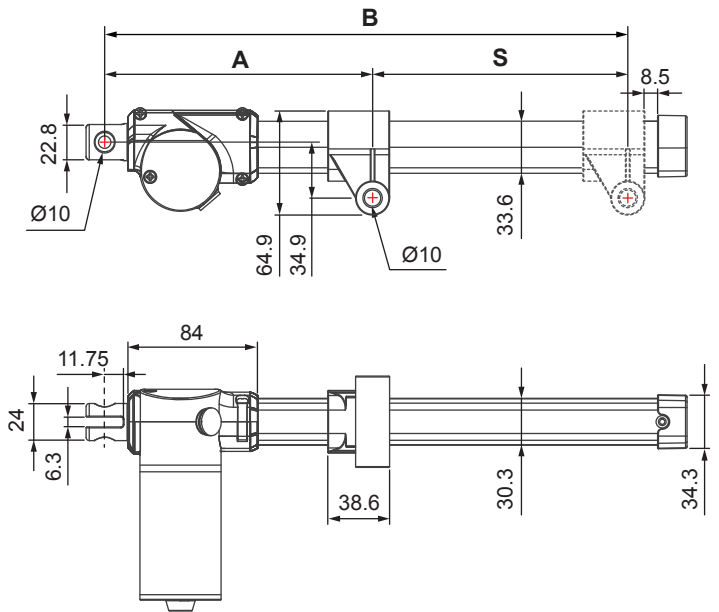
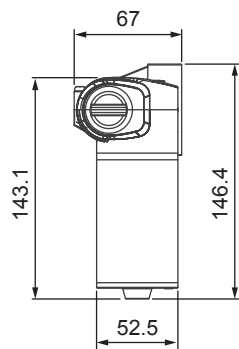
Dimensions

Nut type

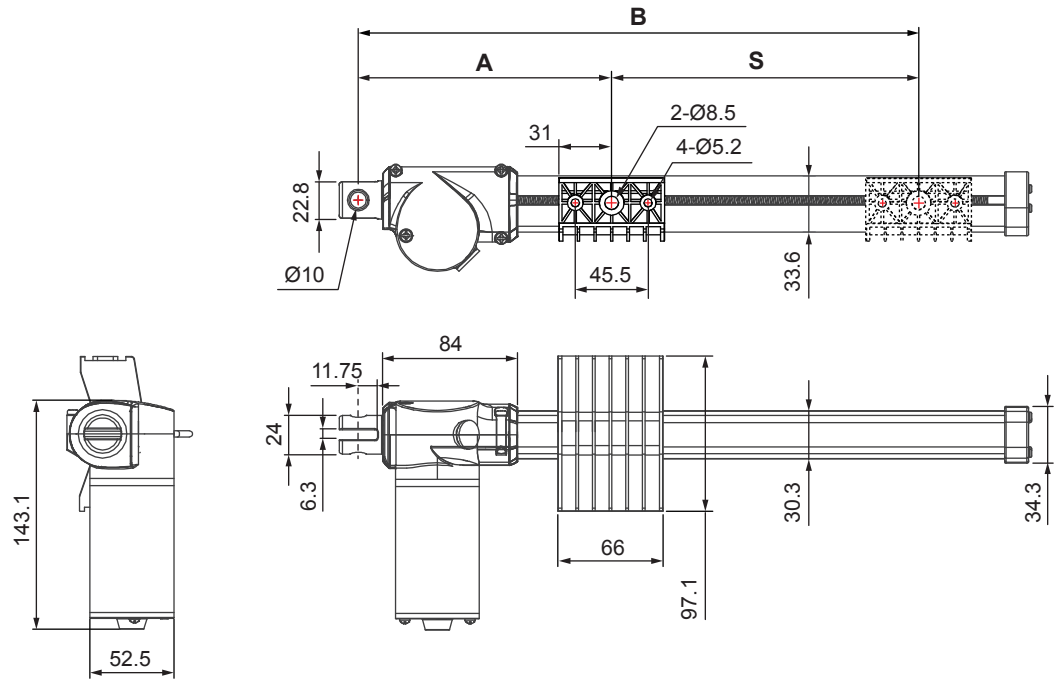
- R-type plastic nut



- B-type plastic nut



- C-type plastic nut



Installation Dimension

Nut type	Available stroke range (S)	Retracted length (A)
R, B	$40 \leq S \leq 230\text{mm}$	$A \geq 133\text{mm} (\pm 3\text{mm})$
C	$50 \leq S \leq 230\text{mm}$	$A \geq 156\text{mm} (\pm 3\text{mm})$

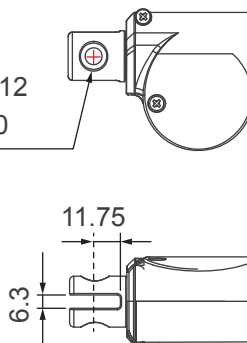
Extended length (B) = S + A

Rear Connector

2: Metal

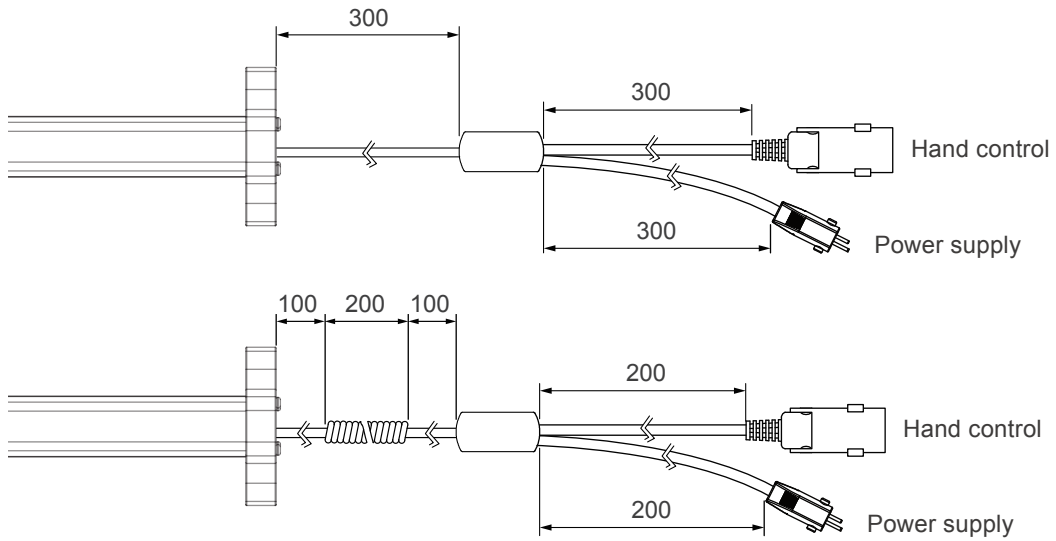
Diameter of pivot without bushing: Ø8, Ø10, Ø12

Diameter of pivot with plastic bushing: Ø8, Ø10



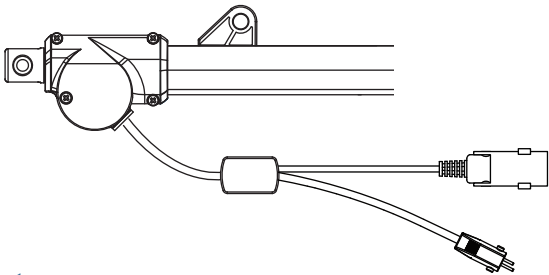
Cable Length

Dedicated cable DL1

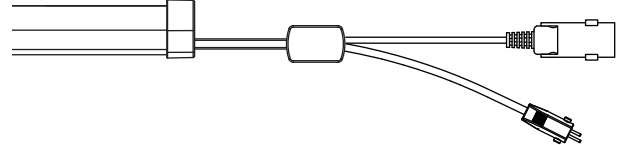


Location of cable outlet

- Rear end outlet



- Front end outlet

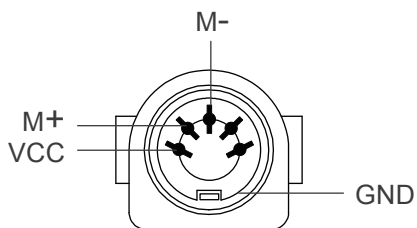


Note:

B-type plastic nut must choose rear end outlet.

Cable Plug

Hand control connector: with Moteck U-type female connector

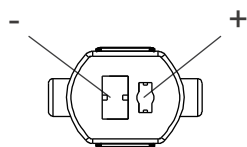


5-pin connector (Moteck pinout: C-DIN-51R)

Note:

Connect pin (M+) to "+" & pin (M-) to "-" of DC power, the actuator will extend.

Power Plug: with Moteck S-type DIN 41529 male plug



DIN 41529 plug



Ordering Key

BD23 - R 2 - 24 - N4 - 133 . 363 - R - S

Nut type	B: B-type plastic nut C: C-type plastic nut R: R-type plastic nut (Refer to Dimensions)
Rear connector type	2: Metal (Refer to page 4)
Input voltage	24: 24V DC
Motor and Spindle type	N4 W6 (Refer to Performance Data)
Retracted length	XXX (Refer to page 4)
Extended length	XXX (Refer to page 4)
Location of cable outlet	F: Front end R: Rear end (B-type plastic nut must choose rear end outlet) (Refer to page 5)
Cable length	6: 600mm all straight S: 600mm long with 200mm spiral (Refer to page 5)

Terms of Use

The user is responsible for application suitability of Moteck products. As ongoing improvement process continues, products listed on the Moteck website are subject to change without prior notice. Moteck reserves the right to terminate the sales or remove any product displayed on the website, or listed in its catalogues.