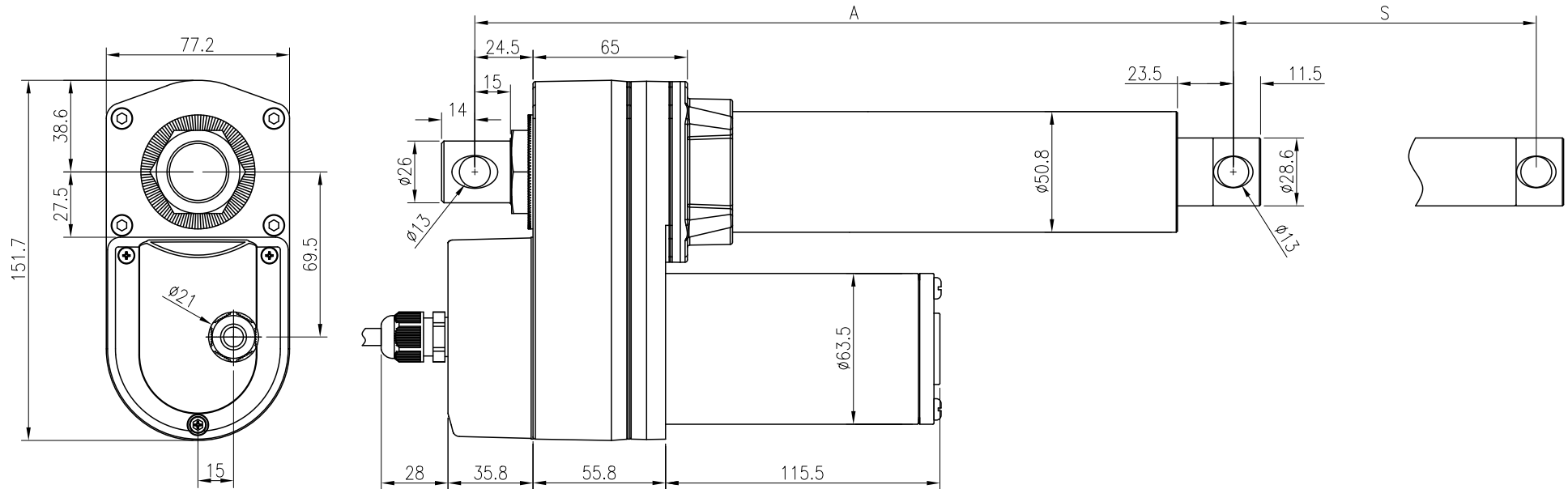


ACME with LT

| | | | | | | | |
|--------|---------|---------|---------|----------|----------|----------|----------|
| S ±5.0 | 4"(102) | 6"(153) | 8"(203) | 10"(254) | 12"(305) | 18"(457) | 24"(610) |
| A ±5.0 | 319 | 370 | 420 | 471 | 573 | 725 | 878 |



UNIT: mm

| | |
|---|---------------|
|  MOTTECK [®] MOTORIZE OUR WORLD | DATE: |
| | 14 April 2014 |
| TITLE: | |
| Linear Actuator ID11 | |