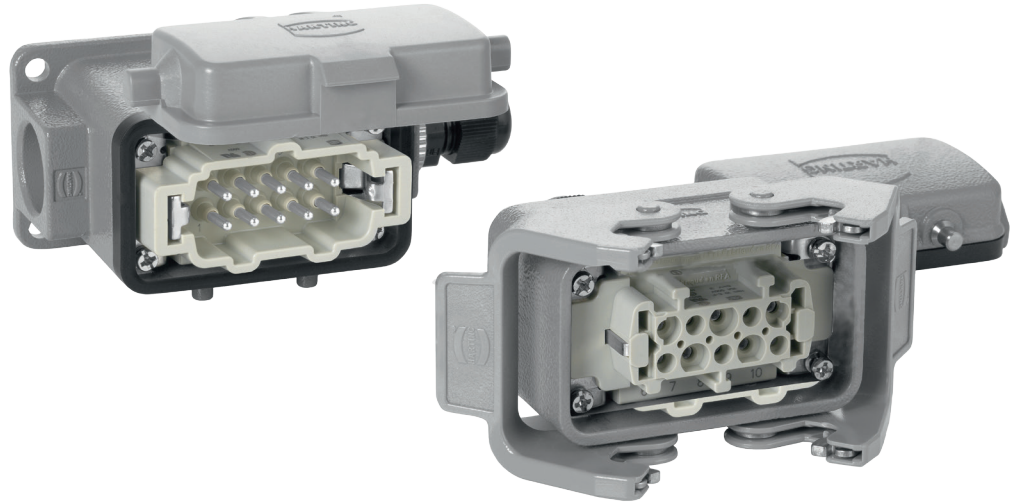
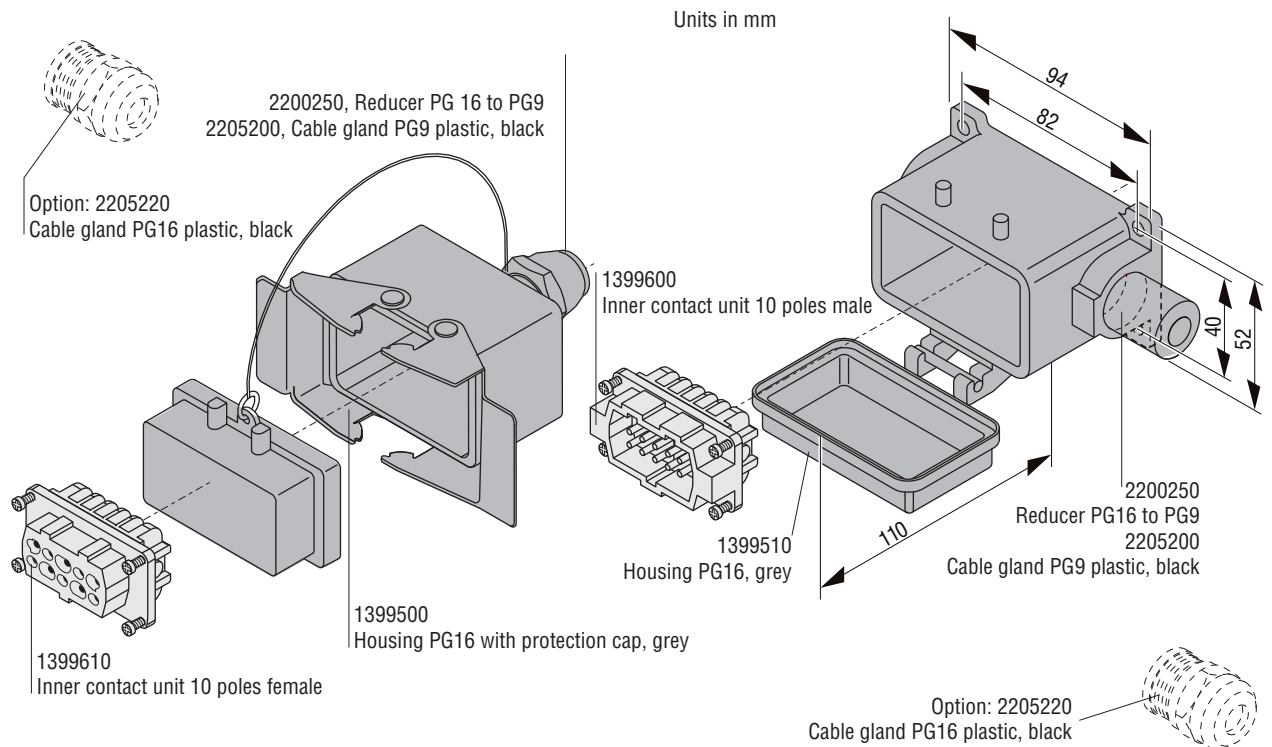


Product Data



Dimensions



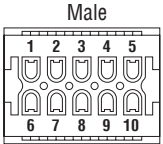
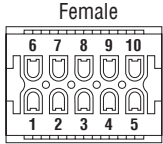
TECHNICAL DATA

Plug kit 10p male/female

Article number	0351100
Use	Cable disconnection
Protection	IP 67
Operating temperature	-40°C...+85°C.
Including	Sealing caps
Approval	ADR

Description

Electrical connection



- Soldering 10p connector
- 1 = Video signal
- 2 = Video GND
- 3 = Red
- 4 = Black
- 5 = Grey
- 6 = White
- 7 = Green
- 8 = Purple
- 9 = Brown
- 10 = Yellow

All data subject to change without notice. All dimensions are for commercial purpose only.
The camera/display systems from Orlaco comply with the latest CE, ADR, EMC and mirror-directive regulations, where applicable.
All products are manufactured in accordance with the ISO 9001 quality management system, ISO/TS 16949 quality automotive, ISO 14001 environmental management systems and all Ex products with the IECEx scheme and ATEX directives, where applicable.

