



Dopyt



# TERMOČLÁNKY

Séria TC47-MT

TC47-MT  
Termočlánok

- Teplota -40°C až 750°C
- K, J, K, T
- Telo nerez





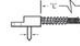


## POPIS PRODUKTU

## ŠPECIFIKÁCIA

Prevádzková teplota max. 750 °C

Prevádzková teplota min. -40 °C

<b>Manifold block</b> <ul style="list-style-type: none"> <li>Stainless steel</li> <li>Others on request</li> </ul>		<b>Lead wire covering</b> <ul style="list-style-type: none"> <li>None</li> <li>Stainless steel overbraid (no tracer)</li> <li>Stainless steel overbraid (with tracer)</li> <li>Tin copper overbraid</li> <li>Interlocking flexible armour</li> </ul>																																								
<b>Junction</b> <ul style="list-style-type: none"> <li>Grounded (unisolated)</li> <li>Ungrounded (isolated)</li> </ul>		<b>Termination at lead end</b> <ul style="list-style-type: none"> <li>Bare ends</li> <li>Standard thermo plug 2-pin (male)</li> <li>Miniature thermo plug 2-pin (male)</li> <li>Standard plug with cable clamp (male)</li> <li>Miniature plug with cable clamp (male)</li> <li>Lemosa plug size 15 (male)</li> <li>Lemosa plug size 25 (male)</li> <li>Screw-in plug, Binder (male)</li> <li>Others on request</li> </ul>																																								
<b>Tip diameter (Ø)</b> <ul style="list-style-type: none"> <li>4 mm</li> <li>Others on request</li> </ul>		<b>Calibration type</b> <table border="0"> <tr><td>J</td><td>ANSI MC96.1</td><td>red Ø</td><td>white Ø</td></tr> <tr><td>F</td><td>ANSI MC96.1</td><td>red Ø</td><td>yellow Ø</td></tr> <tr><td>T</td><td>ANSI MC96.1</td><td>red Ø</td><td>blue Ø</td></tr> <tr><td>J</td><td>IEC 584-3</td><td>white Ø</td><td>black Ø</td></tr> <tr><td>K</td><td>IEC 584-3</td><td>white Ø</td><td>green Ø</td></tr> <tr><td>T</td><td>IEC 584-3</td><td>white Ø</td><td>brown Ø</td></tr> <tr><td>J</td><td>DIN 43714</td><td>blue Ø</td><td>red Ø</td></tr> <tr><td>K</td><td>DIN 43714</td><td>green Ø</td><td>red Ø</td></tr> <tr><td>T</td><td>DIN 43714</td><td>brown Ø</td><td>red Ø</td></tr> <tr><td colspan="4">Others on request</td></tr> </table>	J	ANSI MC96.1	red Ø	white Ø	F	ANSI MC96.1	red Ø	yellow Ø	T	ANSI MC96.1	red Ø	blue Ø	J	IEC 584-3	white Ø	black Ø	K	IEC 584-3	white Ø	green Ø	T	IEC 584-3	white Ø	brown Ø	J	DIN 43714	blue Ø	red Ø	K	DIN 43714	green Ø	red Ø	T	DIN 43714	brown Ø	red Ø	Others on request			
J	ANSI MC96.1	red Ø	white Ø																																							
F	ANSI MC96.1	red Ø	yellow Ø																																							
T	ANSI MC96.1	red Ø	blue Ø																																							
J	IEC 584-3	white Ø	black Ø																																							
K	IEC 584-3	white Ø	green Ø																																							
T	IEC 584-3	white Ø	brown Ø																																							
J	DIN 43714	blue Ø	red Ø																																							
K	DIN 43714	green Ø	red Ø																																							
T	DIN 43714	brown Ø	red Ø																																							
Others on request																																										
<b>Tip length</b> <ul style="list-style-type: none"> <li>12 mm</li> <li>20 mm</li> <li>25 mm</li> <li>Others on request</li> </ul>																																										
<b>Lead length</b> <ul style="list-style-type: none"> <li>500 mm</li> <li>1000 mm</li> <li>1500 mm</li> <li>2000 mm</li> <li>2500 mm</li> <li>Others on request</li> </ul>																																										
<b>Lead wire</b> <ul style="list-style-type: none"> <li>Fibreglass / Fibreglass</li> <li>PTFE / PTFE</li> <li>PVC / PVC</li> <li>Kapton / Kapton</li> <li>Others on request</li> </ul>																																										