



Dopyt

MEMBRÁNOVÉ SIRÉNY SAMOSTATNÉ SÉRIE KLH/KDH

Série KLH/KDH

710100004
KLH siréna s lievikom 12V DC

- Membránová siréna
- 92 dB
- Verzia s lievikom a bez lievika



POPIS PRODUKTU

Tradičná jednoduchá membránová siréna pre vnútorné použitie.

ŠPECIFIKÁCIA

Druh montáže	Vertikálny
Farba tela	Šedá RAL 7035
Frekvencia max	50 Hz
Frekvencia min	50 Hz
Hladina zvuku max	92 dB
Hladina zvuku min	92 dB
Hmotnosť	180 g
Menovitý prúd max	0,055 A
Menovitý prúd min	0,055 A
Napájacie napätie	12 V
Napájacie napätie DC max.	13,2 V DC
Napájacie napätie DC min.	10,8 V DC
Počet tónov	1 ks
Prevádzková teplota max.	50 °C
Prevádzková teplota min.	-25 °C

Prierez vodičov

2,5 mm²

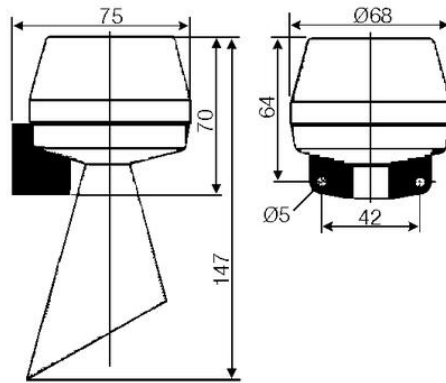
Trieda krytia

IP43, NEMA Type 2

The sound pressure decreases by 6 dB when doubling the distance, the following distance table is to be seen as indication, as also factors like tone type, wind speed, wind direction, humidity, weather conditions etc. do influence the sound pressure level.

Distance (m)	65	70	75	80	85	90	92	94	96	98	100	102	104	106	108	110	112	114	116	118	120
1	59	64	69	74	79	84	86	88	90	92	94	96	98	100	102	104	106	108	110	112	114
2	55	60	65	70	75	80	82	84	86	88	90	92	94	96	98	100	102	104	106	108	110
3	51	56	61	66	71	76	78	80	82	84	86	88	90	92	94	96	98	100	102	104	106
5	45	50	55	60	65	70	72	74	76	78	80	82	84	86	88	90	92	94	96	98	100
10	39	44	49	54	59	64	66	68	70	72	74	76	78	80	82	84	86	88	90	92	94
20	35	40	45	50	55	60	62	64	66	68	70	72	74	76	78	80	82	84	86	88	90
30	36	41	46	51	56	60	62	64	66	68	70	72	74	76	78	80	82	84	86	88	90
50	40	45	50	55	60	64	66	68	70	72	74	76	78	80	82	84	86	88	90	92	94
100	39	44	49	54	59	64	66	68	70	72	74	76	78	80	82	84	86	88	90	92	94
200	38	43	48	53	58	63	65	67	69	71	73	75	77	79	81	83	85	87	89	91	93
500	38	43	48	53	58	63	65	67	69	71	73	75	77	79	81	83	85	87	89	91	93

The sound pressure decreases by 6 dB when doubling the distance



The sound pressure decreases by 6 dB when doubling the distance, the following distance table is to be seen as indication, as also factors like tone type, wind speed, wind direction, humidity, weather conditions etc. do influence the sound pressure level.

Distance (m)	65	70	75	80	85	90	92	94	96	98	100	102	104	106	108	110	112	114	116	118	120
1	59	64	69	74	79	84	86	88	90	92	94	96	98	100	102	104	106	108	110	112	114
2	55	60	65	70	75	80	82	84	86	88	90	92	94	96	98	100	102	104	106	108	110
3	51	56	61	66	71	76	78	80	82	84	86	88	90	92	94	96	98	100	102	104	106
5	45	50	55	60	65	70	72	74	76	78	80	82	84	86	88	90	92	94	96	98	100
10	39	44	49	54	59	64	66	68	70	72	74	76	78	80	82	84	86	88	90	92	94
20	35	40	45	50	55	60	62	64	66	68	70	72	74	76	78	80	82	84	86	88	90
30	36	41	46	51	56	60	62	64	66	68	70	72	74	76	78	80	82	84	86	88	90
50	40	45	50	55	60	64	66	68	70	72	74	76	78	80	82	84	86	88	90	92	94
100	39	44	49	54	59	64	66	68	70	72	74	76	78	80	82	84	86	88	90	92	94
200	38	43	48	53	58	63	65	67	69	71	73	75	77	79	81	83	85	87	89	91	93
500	38	43	48	53	58	63	65	67	69	71	73	75	77	79	81	83	85	87	89	91	93

The sound pressure decreases by 6 dB when doubling the distance

