



## TERMOČLÁNKY

Séria TC50



TC50-14374632

Termočlánok Typ K 0-1260°C kontaktný blok L=1m silikón

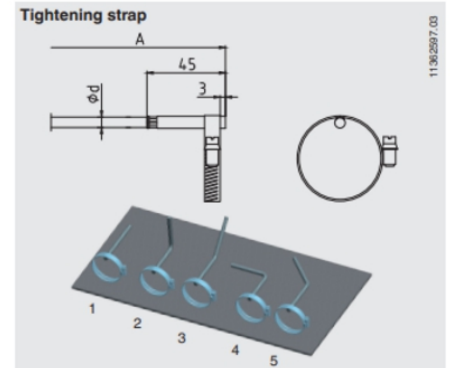
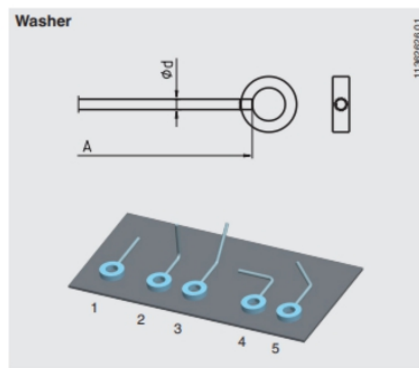
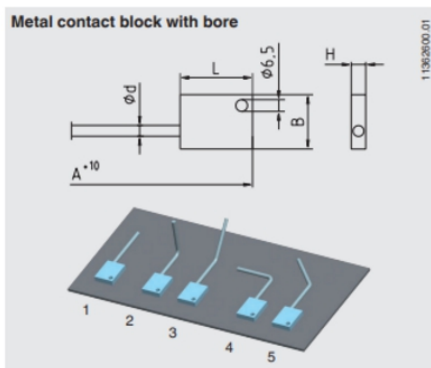
- Teplota -40°C až 1200°C
- K, J, E, N, T
- Kabel PVC, Silicon, PTFE, Sklenené vlákno
- ATEX, IECEx, GOST



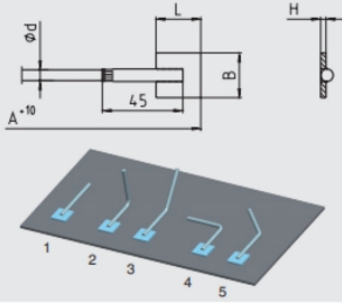
### POPIS PRODUKTU

## ŠPECIFIKÁCIA

Dĺžka kábla	1000 mm
Materiál kábla	Silikón
Materiál kontaktnej časti	Nerezová oceľ 316Ti
Prevádzková teplota max.	1260 °C
Prevádzková teplota min.	0 °C
Temperature resistance of cable from	-50 °C
Temperature resistance of cable to	200 °C
Trieda krytia	IP65



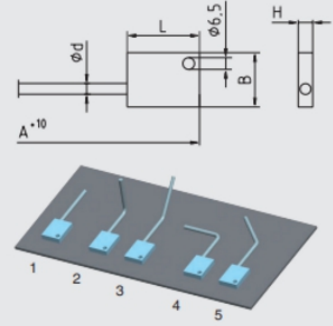
### Weld-on sheet



11.362519.02

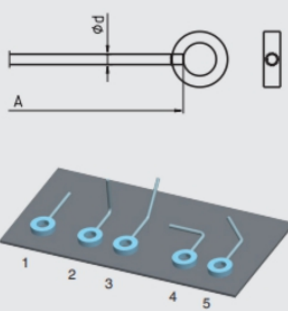
Process connection	Dimensions in mm	
	Width x length x height (B x L x H)	Outer diameter x inner diameter x thickness (AD x ID x t)
Metal contact block with bore $d = 6.5$ mm	30 x 40 x 6	-
Washer	-	36.1 x 19.1 x 9.5
Weld-on sheet	25 x 25 x 3.0	-
Tightening strap	-	11 - 15 13 - 25 23 - 62 60 - 93 91 - 125 123 - 158

### Metal contact block with bore



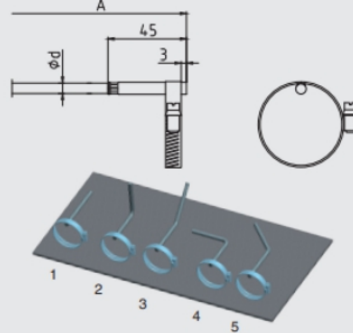
11.362610.01

### Washer



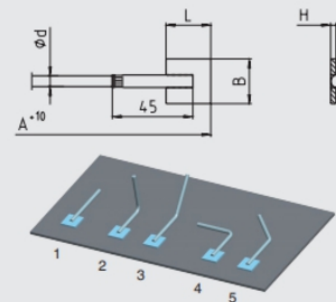
11.362620.01

### Tightening strap



11.362597.03

### Weld-on sheet



11.362518.02

Process connection	Dimensions in mm	
	Width x length x height (B x L x H)	Outer diameter x inner diameter x thickness (AD x ID x t)
Metal contact block with bore $d = 6.5$ mm	30 x 40 x 6	-
Washer	-	36.1 x 19.1 x 9.5
Weld-on sheet	25 x 25 x 3.0	-
Tightening strap	-	11 - 15 13 - 25 23 - 62 60 - 93 91 - 125 123 - 158