



Dopyt

## JÍMKY

Série TW22

TW22-14373617

Jímka Varivent DN10/DN15 M24x1,5 50x6mm pro  
senzor TR22-A

- Materiál nerez
- Připojení aseptický, navařovací
- 3-A, EHEDG



### POPIS PRODUKTU

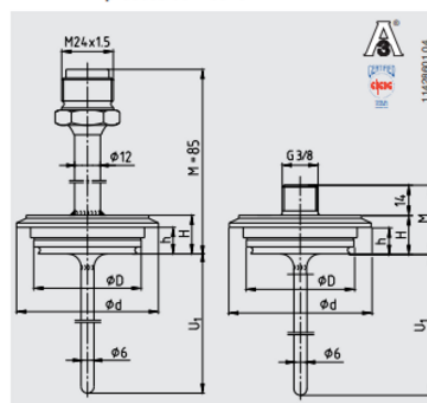
## ŠPECIFIKÁCIA

Dĺžka	134 mm
Insertion length	50 mm
Inside diameter	3 mm
Materiál kontaktnej časti	Nerezová oceľ 316L
Neck length	0,034 m
Plug diameter	6 mm
Zhoda s normami	3-A, EHEDG

Combination examples



VARIVENT® process connection

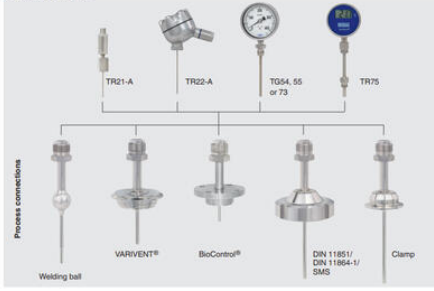


$U_1$  = variable insertion length

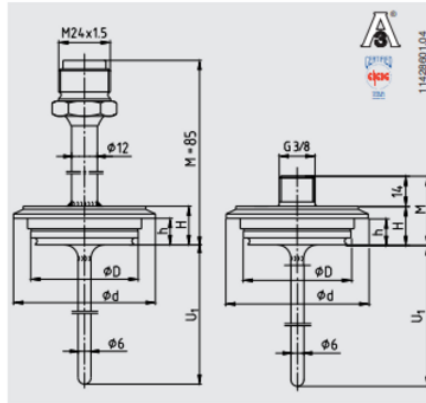
Dimensions for VARIVENT® process connection

Process connection	Nominal width in mm	PN in bar	Dimensions in mm				Weight in kg
			G D	$\phi d$	ir	h	
Form B	DN 10, DN 15	25	31	22,7	30	13,65	0,3
Form F	DN 25, DN 32	25	50	46,0	18	12,30	0,4
Form N	DN 40, DN 50	25	68	64,0	18	12,30	0,6

Combination examples



VARIVENT® process connection



$U_1$  = variable insertion length

Dimensions for VARIVENT® process connection

Process connection	Nominal width in mm	PN in bar	Dimensions in mm			Weight in kg	
			D <sub>1</sub>	D <sub>2</sub>	L <sub>1</sub>		
Form B	DN 10, DN 15	25	31	52.7	30	13.65	0.3
Form F	DN 20, DN 32	25	50	66.0	18	12.30	0.4
Form N	DN 40, DN 50	25	68	84.0	18	12.30	0.6