



Dopyt

JÍMKY

Série TW10-F/B/S

TW10F-14364050

Jímka ASME 2" 300lbs 250x8,5mm G1/2" 316Ti

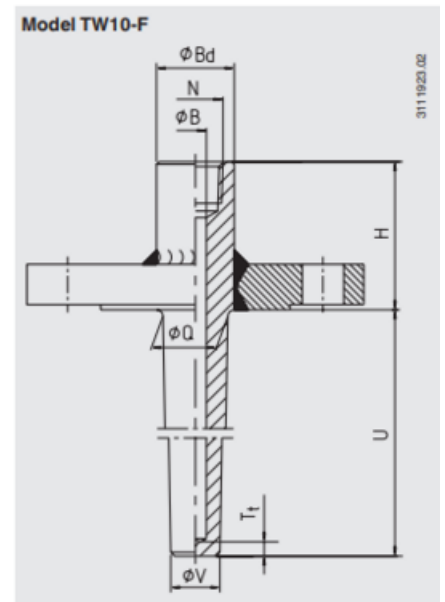
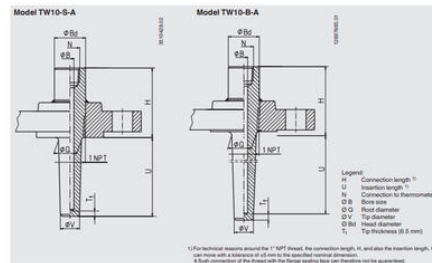
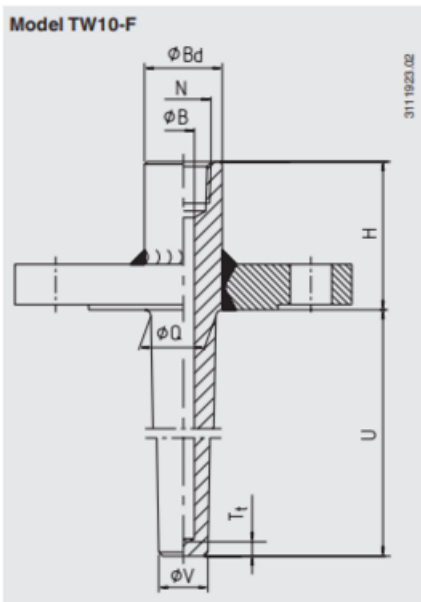


- Materiál nerez
- Připojení NPT, příruba, navařovací

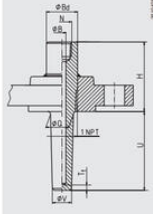
POPIS PRODUKTU

ŠPECIFIKÁCIA

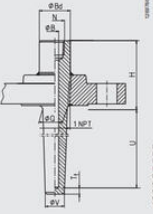
Dĺžka	300 mm
Insertion length	250 mm
Inside diameter	8,5 mm
Materiál	Nerezová oceľ 316Ti
Plug diameter	25 mm



Model TW10-S-A



Model TW10-B-A



- Legend:
- H¹⁾ Connection length
 - U¹⁾ Insertion length
 - N¹⁾ Connection to thermometer
 - EB¹⁾ Bone size
 - D²⁾ Root diameter
 - D³⁾ Tip diameter
 - EB⁴⁾ Head diameter
 - T¹⁾ Tip thickness (0.5 mm)

¹⁾ For technical reasons around the 1/4 NPT thread, the connection length, H, and also the insertion length, U, can vary with a tolerance of ±0.1 mm to the applied nominal dimension.
 A burr correction of the thread with the force loading base can therefore not be guaranteed.