



Dopyt

TERMOČLÁNKY

Séria TR50



TR50-43350879

Termočlánok Pt100 3-vodic 1m -50-200°C kontaktblock

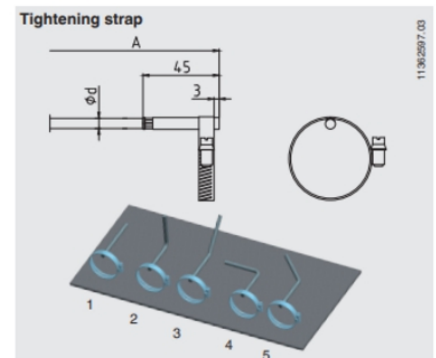
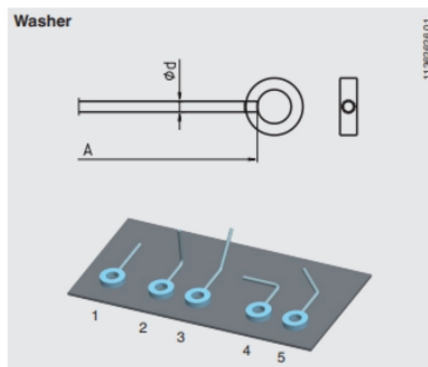
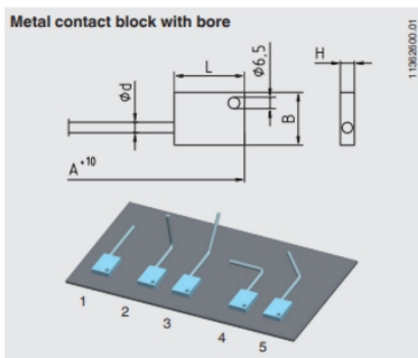
- Teplota -196°C až 600°C
- PT100
- Kabel PVC, Silicon, PTFE, Sklenené vlákno
- ATEX, IECEx, GOST



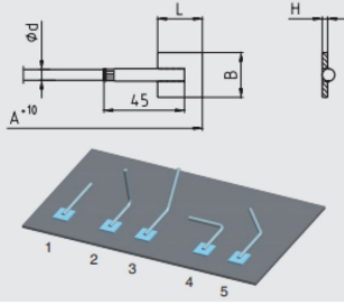
POPIS PRODUKTU

ŠPECIFIKÁCIA

Dĺžka kábla	1000 mm
Materiál kábla	Silikón
Materiál kontaktnej časti	Nerezová oceľ 316Ti
Prevádzková teplota max.	250 °C
Prevádzková teplota min.	-50 °C
Temperature resistance of cable from	-50 °C
Temperature resistance of cable to	200 °C
Trieda krytia	IP65



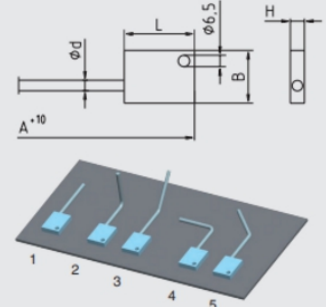
Weld-on sheet



11.362618.02

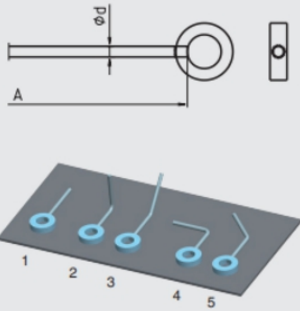
Process connection	Dimensions in mm	
	Width x length x height (B x L x H)	Outer diameter x inner diameter x thickness (AD x ID x t)
Metal contact block with bore $d = 6.5$ mm	30 x 40 x 6	-
Washer	-	38.1 x 19.1 x 9.5
Weld-on sheet	25 x 25 x 3.0	-
Tightening strap	-	11 - 15
	-	15 - 25
	-	25 - 62
	-	60 - 93
	-	93 - 125
-	123 - 158	

Metal contact block with bore



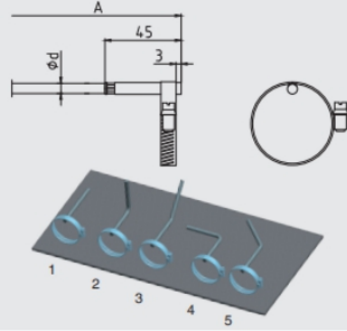
11.362600.01

Washer



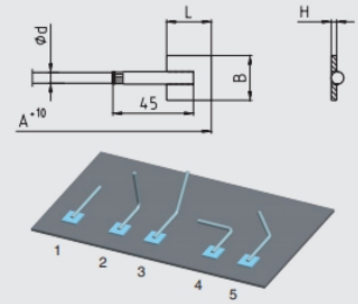
11.362626.01

Tightening strap



11.362597.03

Weld-on sheet



11.362618.02

Process connection	Dimensions in mm	
	Width x length x height (B x L x H)	Outer diameter x inner diameter x thickness (AD x ID x t)
Metal contact block with bore $d = 6.5$ mm	30 x 40 x 6	-
Washer	-	38.1 x 19.1 x 9.5
Weld-on sheet	25 x 25 x 3.0	-
Tightening strap	-	11 - 15
	-	15 - 25
	-	25 - 62
	-	60 - 93
	-	93 - 125
-	123 - 158	