



Dopyt

TERMOMETRE

Séria 70

H70-14351252

Termometer Ø100 0-100°C 100x6mm L=3m slät



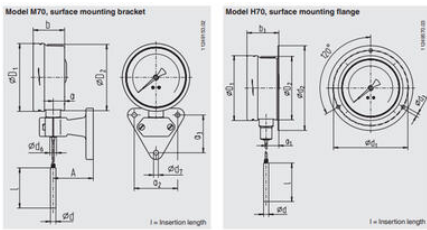
- Expanzné
- Teplota -60°C až 400°C
- Ø63, Ø100, Ø160 mm
- Pripojenie G, M, NPT



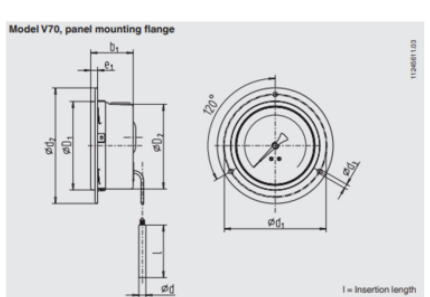
POPIS PRODUKTU

ŠPECIFIKÁCIA

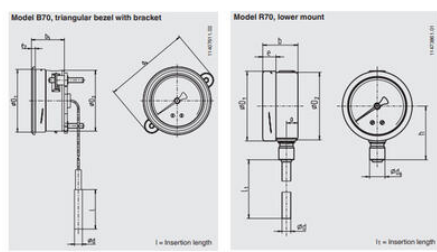
Capillary diameter	2 mm
Capillary length	3000 mm
Insertion length	100 mm
Material Capillary	Nerezová oceľ 316Ti
Materiál kontaktnej časti	Nerezová oceľ
Materiál skla	Laminované bezpečnostné sklo
Materiál tela	Nerezová oceľ
Plug diameter	6 mm
Prevádzková teplota max.	100 °C
Prevádzková teplota min.	0 °C
Priemer	100 mm
Teplota okolia do	40 °C
Teplota okolia od	0 °C
Tlaková odolnosť max	25 bar
Trieda krytia	IP65



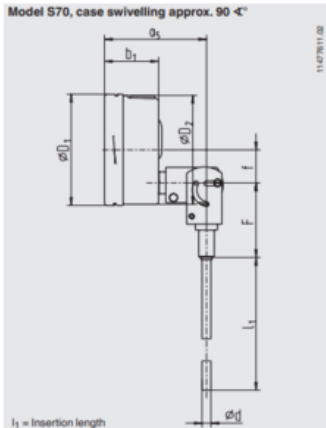
NS	Dimensions in mm											Weight in kg					
	b_1	b_2	b	b_1	$O d$	$O d_1$	$O d_2$	$O d_3$	e_1	$O D_1$	$O D_2$						
63	10.5	13	65	56	32.5	32.5	34.5	8	75	85	3.6	14	7	60	63.5	62	0.4
100	15.5	22	65	56	49.5	49.5	50.0	8	116	132	4.8	18	7	60	101.0	99	0.9
160	15.5	22	65	56	49.5	-	50.0	8	178	196	6.0	18	7	60	161.0	159	1.40



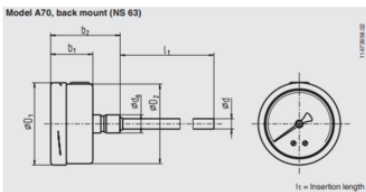
NS	Dimensions in mm							Weight in kg
	b_1	$O d$	$O d_1$	$O d_2$	$O d_3$	e_1	$O D_1$	
63	32.5	8	75	85	3.6	5	63.5	
100	49.5	8	116	132	4.8	8	101.0	
160	-	8	178	196	6.0	8	161.0	



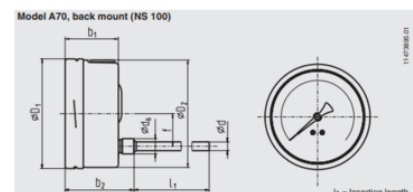
NS	Dimensions in mm				Weight in kg
	b_1	b_2	$O d$	$O D_2$	
63	87	33.5	8	4	63.5
100	10.5	32.5	8	14	12.2
160	15.5	49.5	8	18	16.8



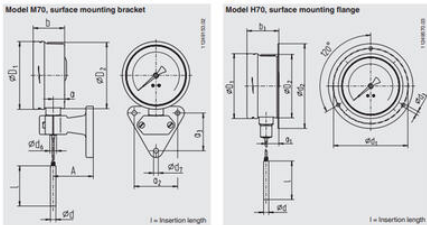
NS	Dimensions in mm						Weight in kg	
	a_1	b_1	$O d$	f	$O D_1$	$O D_2$		
63	83	32.5	8	0	63.5	62	68	0.4
100	93	49.5	8	30	101.0	99	68	0.9



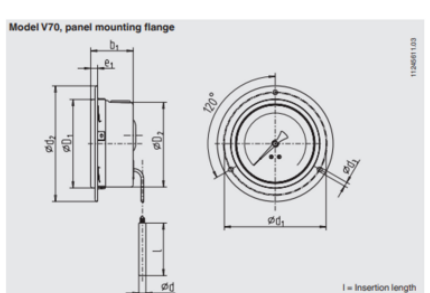
NS	Dimensions in mm					Weight in kg	
	b_1	b_2	$O d$	$O d_1$	$O D_1$		
63	32.5	54.0	8	14	63.5	62	0.4



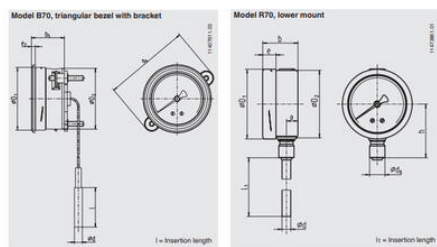
NS	Dimensions in mm					Weight in kg		
	b_1	b_2	$O d$	f	$O D_1$			
100	49.5	63.5	8	18	30	101.0	99	0.9



NS	Dimensions in mm											Weight in kg					
	b_1	b_2	b	b_1	$O d$	$O d_1$	$O d_2$	$O d_3$	e_1	$O D_1$	$O D_2$						
63	10.5	13	65	56	32.5	32.5	34.5	8	75	85	3.6	14	7	60	63.5	62	0.4
100	15.5	22	65	56	49.5	49.5	50.0	8	116	132	4.8	18	7	60	101.0	99	0.9
160	15.5	22	65	56	49.5	-	50.0	8	178	196	6.0	18	7	60	161.0	159	1.40

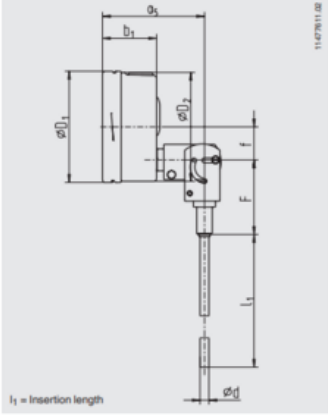


NS	Dimensions in mm							Weight in kg
	b_1	$O d$	$O d_1$	$O d_2$	$O d_3$	e_1	$O D_1$	
63	32.5	8	75	85	3.6	5	63.5	
100	49.5	8	116	132	4.8	8	101.0	
160	-	8	178	196	6.0	8	161.0	



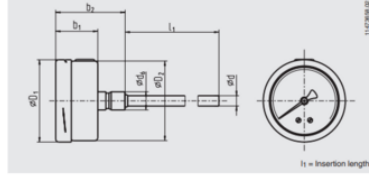
NS	Dimensions in mm				Weight in kg
	b_1	b_2	$O d$	$O D_2$	
63	87	33.5	8	4	63.5
100	10.5	32.5	8	14	12.2
160	15.5	49.5	8	18	16.8

Model S70, case swivelling approx. 90°



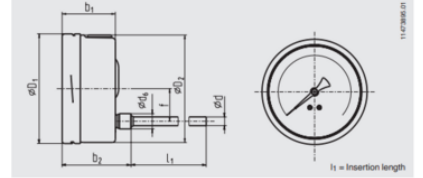
NS	Dimensions in mm							Weight in kg
	a ₂	b ₁	Ø d	l	Ø D ₁	Ø D ₂	F	
63	83	32.5	8	0	63.5	62	68	0.4
100	93	49.5	8	30	101.0	99	68	0.9

Model A70, back mount (NS 63)



NS	Dimensions in mm						Weight in kg
	b ₂	b ₁	Ø d	Ø d ₁	Ø D ₁	Ø D ₂	
63	32.5	54.0	8	14	63.5	62	0.4

Model A70, back mount (NS 100)



NS	Dimensions in mm						Weight in kg	
	b ₂	b ₁	Ø d	l	Ø D ₁	Ø D ₂		
100	49.5	63.5	8	18	30	101.0	99	0.9