



Dopyt

## TERMOMETRE

Séria R73

R73-14349884

Termometer Ø100 -80-60°C 100x10mm G1/2

- Plynové
- Teplota -200°C až 700°C
- Ø100, Ø160 mm
- Pripojenie G, M, NPT
- ATEX, GOST, EAC

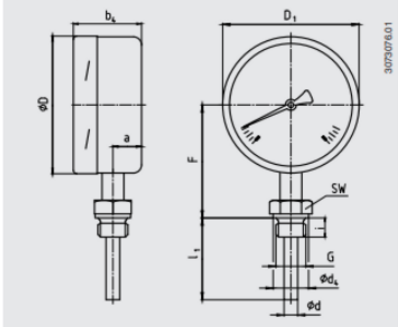


### POPIS PRODUKTU

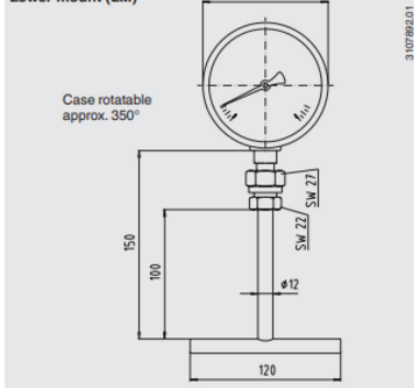
## ŠPECIFIKÁCIA

Insertion length	100 mm
Materiál kontaktnej časti	Nerezová oceľ 316
Materiál skla	Laminované bezpečnostné sklo
Materiál tela	Nezerová oceľ 1,4301
Plug diameter	10 mm
Pozícia pripojenia	Spodný
Prevádzková teplota max.	60 °C
Prevádzková teplota min.	-80 °C
Priemer	100 mm
Teplota okolia do	60 °C
Teplota okolia od	-40 °C
Tlaková odolnosť max	25 bar
Trieda krytia	IP65

**Model R73, lower mount**



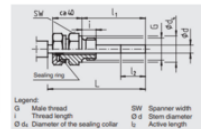
**Model R73, with contact bulb  
Lower mount (LM)**



**Design 4, compression fitting (sliding on stem)**

Insertion length  $l_1$  = variable  
Length  $L = l_1 + 40$  mm

Nominal size	Process connection	Dimensions in mm			
		G	L	SW	G x L
100, 160	G 1/2 B	14	27	26	8
	G 3/4 B	16	32	32	8
	M18 x 1.5	12	24	23	8
	1/2 NPT	18	32	-	8
	1/2 NPT	20	30	-	8

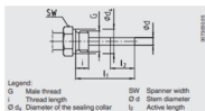


**Standard design (male threaded connection) <sup>1)</sup>**

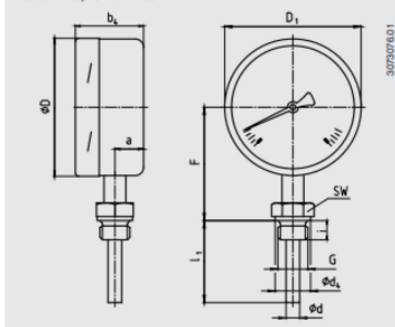
Standard insertion length  $l_1 = 63, 100, 160, 200, 250$  mm

Nominal size	Process connection	Dimensions in mm			
		G	L	SW	G x L
100, 160	G 1/2 B	14	27	26	8
	G 3/4 B	16	32	32	8
	M18 x 1.5	12	24	23	8
	1/2 NPT	18	32	-	8
	1/2 NPT	20	30	-	8

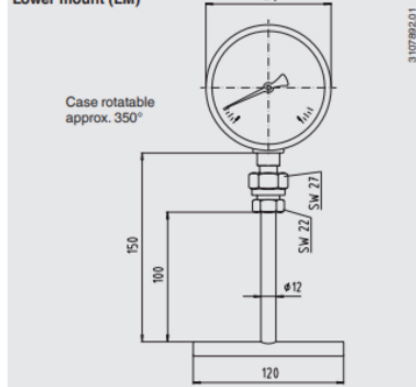
<sup>1)</sup> Not for version with capillary (PT 100)



**Model R73, lower mount**



**Model R73, with contact bulb  
Lower mount (LM)**

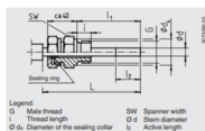


**Design 4, compression fitting (sliding on stem)**

Insertion length  $l_1$  = variable  
Length  $L = l_1 + 40$  mm

Nominal size	Process connection	Dimensions in mm			
		G	L	SW	G x L
100, 160	G 1/2 B	14	27	26	8
	G 3/4 B	16	32	32	8
	M18 x 1.5	12	24	23	8
	1/2 NPT	18	32	-	8
	1/2 NPT	20	30	-	8

<sup>1)</sup> Not for version with capillary (PT 100)



**Standard design (male threaded connection) <sup>1)</sup>**

Standard insertion length  $l_1 = 63, 100, 160, 200, 250$  mm

Nominal size	Process connection	Dimensions in mm			
		G	L	SW	G x L
100, 160	G 1/2 B	14	27	26	8
	G 3/4 B	16	32	32	8
	M18 x 1.5	12	24	23	8
	1/2 NPT	18	32	-	8
	1/2 NPT	20	30	-	8

<sup>1)</sup> Not for version with capillary (PT 100)

