



TERMOMETRE

Séria TGT73

TGT73-14348727

Termometer Ø100 0-160°C 4-20mA 100x6mm

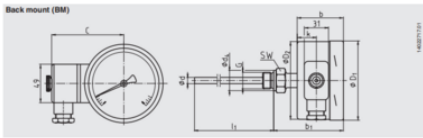
- Plynové
- Teplota -200°C až 700°C
- Ø100, Ø160 mm
- Pripojenie G, M, NPT
- Výstup 4-20mA, 0-10V



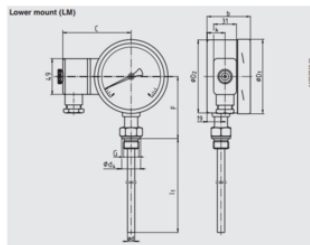
POPIS PRODUKTU

ŠPECIFIKÁCIA

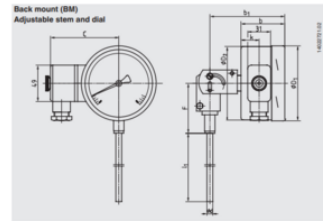
Configured measuring range ending value	160 °C
Configured measuring range starting value	0 °C
Insertion length	100 mm
Materiál kontaktnej časti	Nerezová oceľ 316
Materiál tela	Nerezová oceľ 304
Material Works	Laminované bezpečnostné sklo
Napájacie napätie DC max.	30 V DC
Napájacie napätie DC min.	12 V DC
Plug diameter	6 mm
Pozícia pripojenia	Spodný
Prevádzková teplota max.	160 °C
Prevádzková teplota min.	0 °C
Priemer	100 mm
Teplota okolia do	60 °C
Teplota okolia od	-20 °C
Tlaková odolnosť max	25 bar



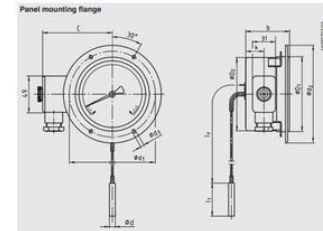
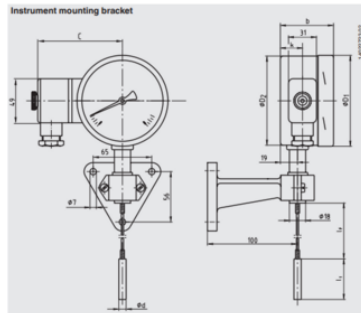
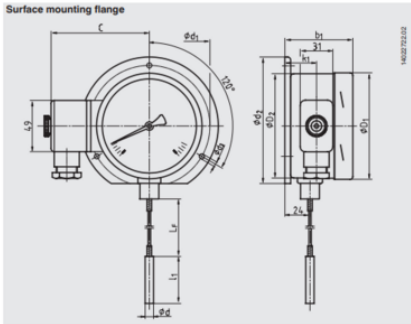
Nominal size	Dimensions in mm								Weight in kg		
	b ¹⁾	b ²⁾	C	Ø d	Ø d ₁	Ø D ₁	Ø D ₂	G			
100	60/68	92/100	94	8 ^{h)}	26	101	99	G 1/8 B	25	27	1.3
160	66/70	99/103	122	8 ^{h)}	26	161	159	G 1/8 B	32	27	1.5



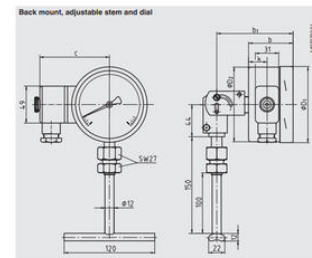
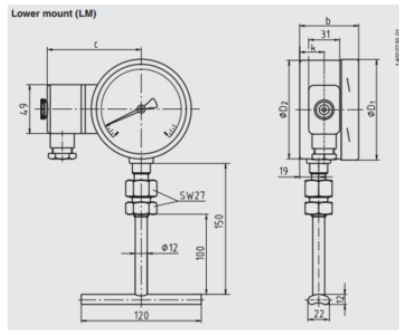
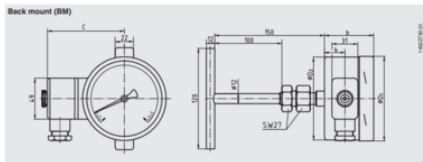
Nominal size	Dimensions in mm								Weight in kg		
	b ¹⁾	b ²⁾	C	Ø d	Ø d ₁	Ø D ₁	Ø D ₂	F ¹⁾			
100	60/68	92/100	94	8 ^{h)}	26	101	99	85	G 1/8 B	25	1.3
160	66/70	99/103	122	8 ^{h)}	26	161	159	114	G 1/8 B	32	1.5



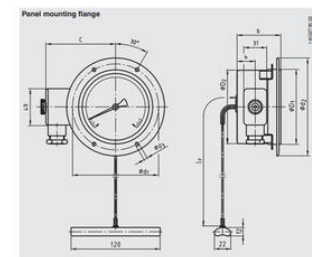
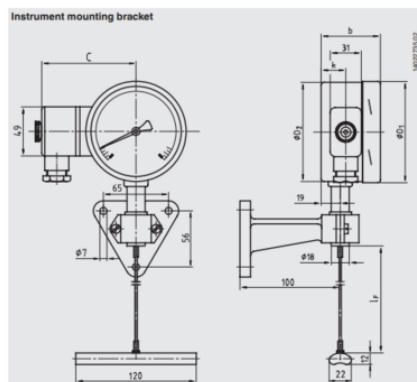
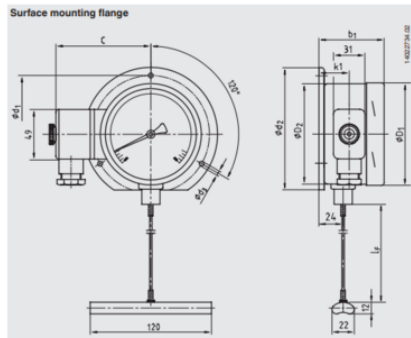
Nominal size	Dimensions in mm								Weight in kg
	b ¹⁾	b ²⁾	C	d	D ₁	D ₂	F	k	
100	60/68	104/112	94	8 ^{h)}	101	99	68	25	
160	66/70	110/114	122	8 ^{h)}	161	159	68	32	



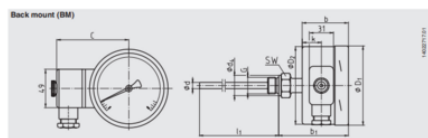
Nominal size	Dimensions in mm								Weight in kg		
	b ¹⁾	b ²⁾	C	d	d ₁	d ₂	D ₁	D ₂			
100	60/68	65/73	94	8 ^{h)}	116	132	4.8	101	99	25	30
160	66/70	72/76	122	8 ^{h)}	178	196	5.8	161	159	32	37



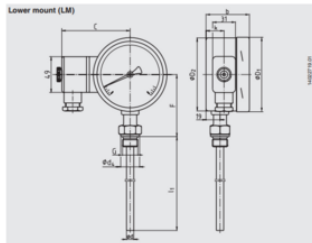
Connection location	Nominal size	Dimensions in mm							
		b ¹⁾	b ²⁾	C	d	D ₁	D ₂	k	l
Back mount	100	60/68	104/112	94	8 ^{h)}	101	99	25	
	160	66/70	110/114	122	8 ^{h)}	161	159	32	
Lower mount	100	60/68	104/112	94	8 ^{h)}	101	99	25	
	160	66/70	110/114	122	8 ^{h)}	161	159	32	
Adjustable stem and dial	100	60/68	104/112	94	8 ^{h)}	101	99	25	
	160	66/70	110/114	122	8 ^{h)}	161	159	32	



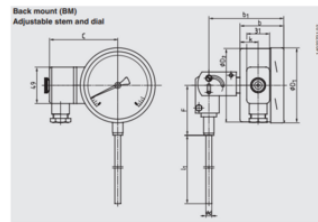
Nominal size	Dimensions in mm								Weight in kg				
	b ¹⁾	b ²⁾	C	d ₁	d ₂	D ₁	D ₂	k					
100	60/68	65/73	94	116	132	4.8	101	99	107	107	25	30	1.6
160	66/70	72/76	122	178	196	5.8	161	159	166	172	32	37	2.0



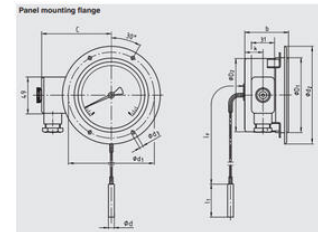
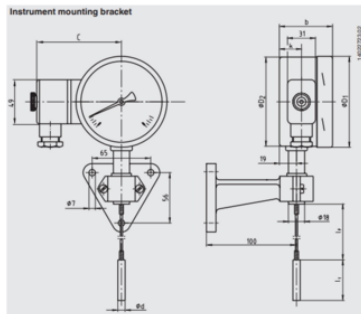
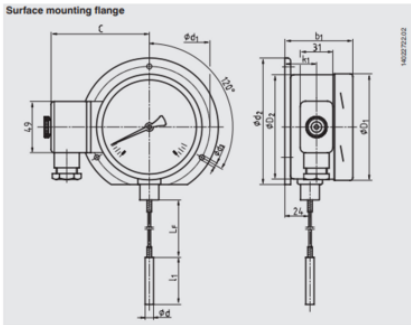
Nominal size	Dimensions in mm								Weight in kg		
	b ¹⁾	b ²⁾	C	Ø d	Ø d ₁	Ø D ₁	Ø D ₂	G			
100	60/68	92/100	94	8 ^{h)}	26	101	99	G 1/8 B	25	27	1.3
160	66/70	99/103	122	8 ^{h)}	26	161	159	G 1/8 B	32	27	1.5



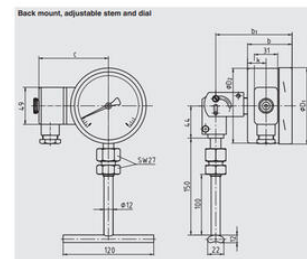
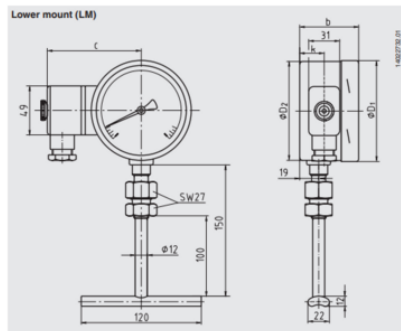
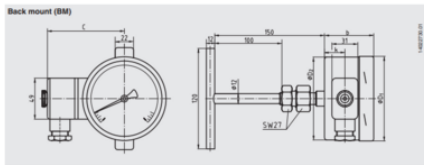
Nominal size	Dimensions in mm											Weight
NS	b ¹⁾	b ²⁾	C	d	d ₁	D ₁	D ₂	F ³⁾	G	k	in kg	
100	60/68	82/100	94	8 ⁴⁾	26	151	99	85	G 1/2 B	25	1.3	
160	66/70	99/103	122	8 ⁴⁾	26	161	159	114	G 1/2 B	32	1.8	



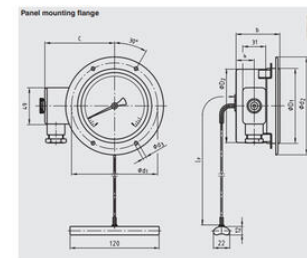
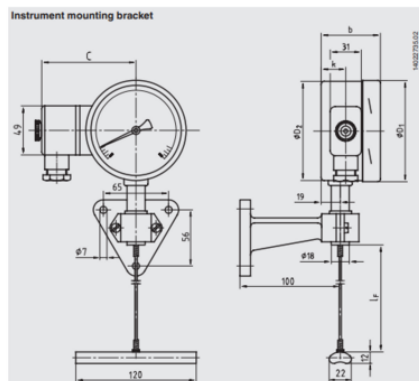
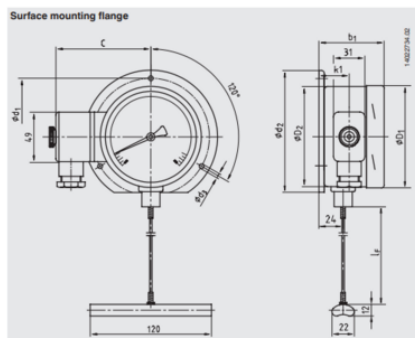
Nominal size	Dimensions in mm										
NS	b ¹⁾	b ²⁾	C	d	d ₁	D ₁	D ₂	F	k	in kg	
100	60/68	104/112	94	8 ⁴⁾	101	99	99	66	25		
160	66/70	110/114	122	8 ⁴⁾	161	159	99	66	32		



Nominal size	Dimensions in mm											
NS	b ¹⁾	b ²⁾	C	d	d ₁	d ₂	D ₁	D ₂	k	k ₁	in kg	
100	60/68	65/73	94	8 ⁴⁾	116	132	4.8	101	99	25	30	
160	66/70	72/76	122	8 ⁴⁾	178	196	5.8	161	159	32	37	



Connection location	Nominal size	Dimensions in mm										
	NS	b ¹⁾	b ²⁾	C	d	d ₁	D ₁	D ₂	k	in kg		
Back mount	100	60/68	104/112	94	101	99	99	25				
	160	66/70	110/114	122	161	159	99	32				
Lower mount	100	60/68	104/112	94	101	99	99	25				
	160	66/70	110/114	122	161	159	99	32				
Adjustable stem and dial	100	60/68	104/112	94	101	99	99	25				
	160	66/70	110/114	122	161	159	99	32				



Nominal size	Dimensions in mm											Weight
NS	b ¹⁾	b ²⁾	C	d	d ₁	D ₁	D ₂	F	G	k	in kg	
100	60/68	65/73	94	116	132	4.8	101	99	107	25	30	1.6
160	66/70	72/76	122	178	196	5.8	161	159	166	32	37	2.0