



Dopyt

SNÍMAČE TEPLOTY

Séria TC10-H

TC10H-14341557

Typ K 0-1260°C 250x6mm BSZ bez závitů



- Termočlánky K, J, E, N, T
- Teplota -40 až 1200°C
- Pripojenie M, NPT
- Médiá voda, plyny, oleje
- ATEX, IECEx

POPIS PRODUKTU

ŠPECIFIKÁCIA

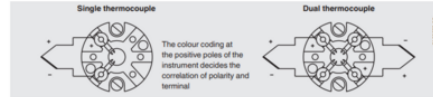
Insertion length	250 mm
Materiál kontaktnej časti	Nerezová oceľ 316Ti
Material Sensor Body	Nerezová oceľ 316Ti
Materiál tela	Hliník
Plug diameter	6 mm
Prevádzková teplota max.	1260 °C
Prevádzková teplota min.	0 °C
Teplota okolia do	80 °C
Teplota okolia od	-40 °C
Trieda krytia	IP65

Connection head

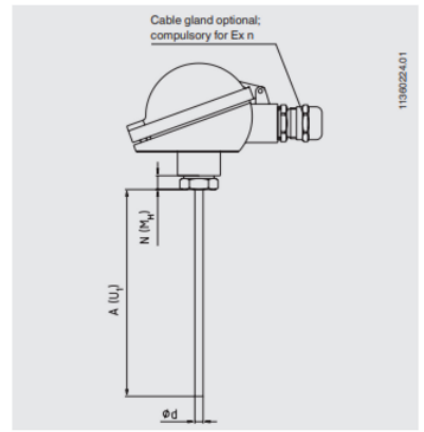
Model	Material	Cable entry thread size	Ingress protection (max.)	Cap	Surface	Connection to neck tube
JS	Aluminum	M18 x 1.5 ¹⁾	IP65	Cover with 2 screws	Blue, lacquered ²⁾	M24 x 1.5, 1/2 NPT
BS	Aluminum	M20 x 1.5 or 1/2 NPT ³⁾	IP65, IP68	Flat cap with 2 screws	Blue, lacquered ²⁾	M24 x 1.5, 1/2 NPT
BSZ	Aluminum	M20 x 1.5 or 1/2 NPT ³⁾	IP65, IP68	Spherical hinged cover with cylinder head screw	Blue, lacquered ²⁾	M24 x 1.5, 1/2 NPT
BSZ-H	Aluminum	M20 x 1.5 or 1/2 NPT ³⁾	IP65, IP68	Raised hinged cover with cylinder head screw	Blue, lacquered ²⁾	M24 x 1.5, 1/2 NPT
BSZ-H (2x cable outlet)	Aluminum	2 x M20 x 1.5 or 2 x 1/2 NPT ³⁾	IP65, IP68	Raised hinged cover with cylinder head screw	Blue, lacquered ²⁾	M24 x 1.5
BSZ-H / DH10 ⁴⁾	Aluminum	M20 x 1.5 or 1/2 NPT ³⁾	IP65	Raised hinged cover with cylinder head screw	Blue, lacquered ²⁾	M24 x 1.5, 1/2 NPT
BSS	Aluminum	M20 x 1.5 or 1/2 NPT ³⁾	IP65	Spherical hinged cover with clamping lever	Blue, lacquered ²⁾	M24 x 1.5, 1/2 NPT
BSS-H	Aluminum	M20 x 1.5 or 1/2 NPT ³⁾	IP65	Raised hinged cover with clamping lever	Blue, lacquered ²⁾	M24 x 1.5, 1/2 NPT
BVS	Stainless steel	M20 x 1.5 ³⁾	IP65	Precision-cast screw-on lid	Black, electropolished	M24 x 1.5
BSZ-K	Plastic	M20 x 1.5 or 1/2 NPT ³⁾	IP65	Spherical hinged cover with cylinder head screw	Black	M24 x 1.5
BSZ-HK	Plastic	M20 x 1.5 or 1/2 NPT ³⁾	IP65	Raised hinged cover with cylinder head screw	Black	M24 x 1.5

Model	Explosion protection				
	Without	Ex I (gas) Zone 1, 2	Ex I (dust) Zone 20, 21, 22	Ex II (gas) Zone 2	Ex II (dust) Zone 22
JS	x	x	-	-	-
BS	x	x	-	-	-
BSZ	x	x	x	x	x
BSZ-H	x	x	x	x	x
BSZ-H (2x cable outlet)	x	x	x	x	x
BSZ-H / DH10 ⁴⁾	x	x	-	-	-
BSS	x	x	-	-	-
BSS-H	x	x	-	-	-
BVS	x	x	-	-	-
BSZ-K	x	x	-	-	-
BSZ-HK	x	x	-	-	-

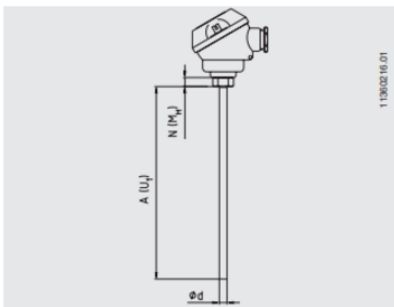
Electrical connection



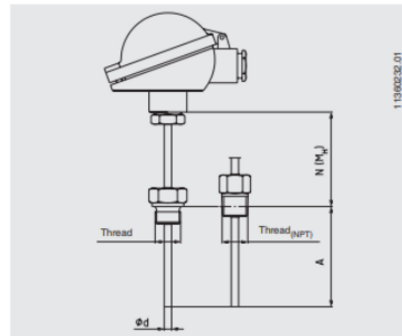
For the electrical connections of built-in temperature transmitters see the corresponding data sheets or operating instructions.



11300254.01



11300254.01



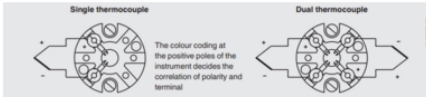
11300254.01

Connection head

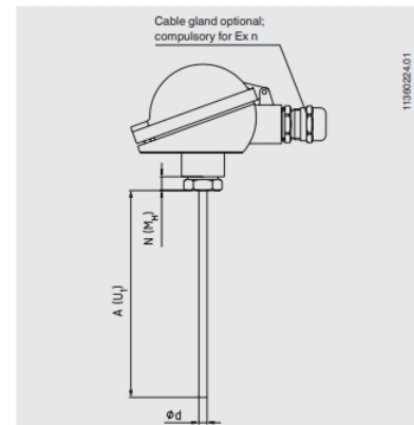
Model	Material	Cable entry thread size	Ingress protection (max.)	Cap	Surface	Connection to neck tube
JS	Aluminum	M18 x 1.5 ¹⁾	IP65	Cover with 2 screws	Blue, lacquered ²⁾	M24 x 1.5, 1/2 NPT
BS	Aluminum	M20 x 1.5 or 1/2 NPT ³⁾	IP65, IP68	Flat cap with 2 screws	Blue, lacquered ²⁾	M24 x 1.5, 1/2 NPT
BSZ	Aluminum	M20 x 1.5 or 1/2 NPT ³⁾	IP65, IP68	Spherical hinged cover with cylinder head screw	Blue, lacquered ²⁾	M24 x 1.5, 1/2 NPT
BSZ-H	Aluminum	M20 x 1.5 or 1/2 NPT ³⁾	IP65, IP68	Raised hinged cover with cylinder head screw	Blue, lacquered ²⁾	M24 x 1.5, 1/2 NPT
BSZ-H (2x cable outlet)	Aluminum	2 x M20 x 1.5 or 2 x 1/2 NPT ³⁾	IP65, IP68	Raised hinged cover with cylinder head screw	Blue, lacquered ²⁾	M24 x 1.5
BSZ-H / DH10 ⁴⁾	Aluminum	M20 x 1.5 or 1/2 NPT ³⁾	IP65	Raised hinged cover with cylinder head screw	Blue, lacquered ²⁾	M24 x 1.5, 1/2 NPT
BSS	Aluminum	M20 x 1.5 or 1/2 NPT ³⁾	IP65	Spherical hinged cover with clamping lever	Blue, lacquered ²⁾	M24 x 1.5, 1/2 NPT
BSS-H	Aluminum	M20 x 1.5 or 1/2 NPT ³⁾	IP65	Raised hinged cover with clamping lever	Blue, lacquered ²⁾	M24 x 1.5, 1/2 NPT
BVS	Stainless steel	M20 x 1.5 ³⁾	IP65	Precision-cast screw-on lid	Black, electropolished	M24 x 1.5
BSZ-K	Plastic	M20 x 1.5 or 1/2 NPT ³⁾	IP65	Spherical hinged cover with cylinder head screw	Black	M24 x 1.5
BSZ-HK	Plastic	M20 x 1.5 or 1/2 NPT ³⁾	IP65	Raised hinged cover with cylinder head screw	Black	M24 x 1.5

Model	Explosion protection				
	Without	Ex I (gas) Zone 1, 2	Ex I (dust) Zone 20, 21, 22	Ex II (gas) Zone 2	Ex II (dust) Zone 22
JS	x	x	-	-	-
BS	x	x	-	-	-
BSZ	x	x	x	x	x
BSZ-H	x	x	x	x	x
BSZ-H (2x cable outlet)	x	x	x	x	x
BSZ-H / DH10 ⁴⁾	x	x	-	-	-
BSS	x	x	-	-	-
BSS-H	x	x	-	-	-
BVS	x	x	-	-	-
BSZ-K	x	x	-	-	-
BSZ-HK	x	x	-	-	-

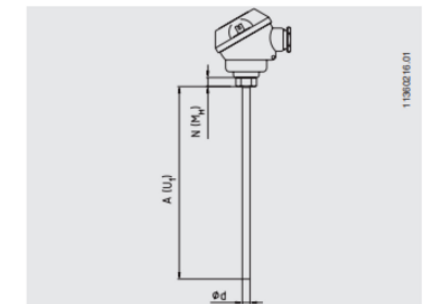
Electrical connection



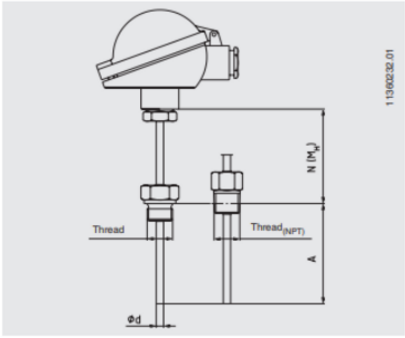
For the electrical connections of built-in temperature transmitters see the corresponding data sheets or operating instructions.



11300254.01



11300254.01



113100232.01