



Dopyt

SNÍMAČE TEPLOTY

Séria TR10-H

TR10H-14341539
PT100 -50-250°C 250x6mm BSZ bez závitů

- PT100, PT1000
- Teplota -196 až 600°C
- Pripojenie M, NPT
- Médiá voda, plyny, oleje
- ATEX, IECEx



POPIS PRODUKTU

ŠPECIFIKÁCIA

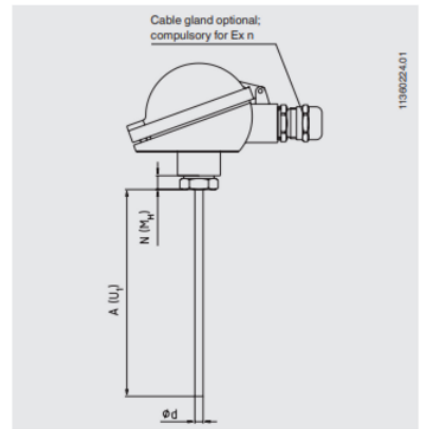
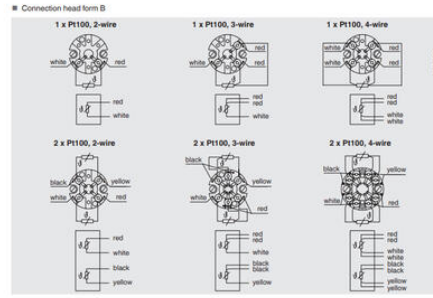
Insertion length	250 mm
Materiál kontaktnej časti	Nerezová oceľ 316Ti
Material Sensor Body	Nerezová oceľ 316Ti
Materiál tela	Hliník
Plug diameter	6 mm
Presnosť klasifikácie	Trieda B
Prevádzková teplota max.	250 °C
Prevádzková teplota min.	-50 °C
Teplota okolia do	80 °C
Teplota okolia od	-40 °C
Trieda krytia	IP65

Connection head

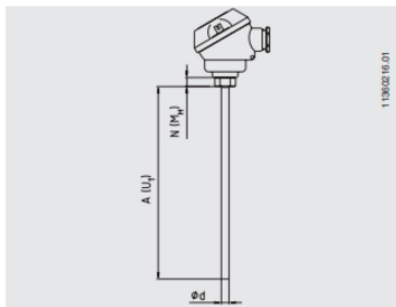
Model	Material	Cable entry thread size	Ingress protection (max.) ¹⁾	Cap	Surface	Connection to neck tube
JS	Aluminum	M18 x 1.5 ¹⁾	IP65	Cover with 2 screws	Blue lacquered ²⁾	M24 x 1.5, 1/2 NPT
BS	Aluminum	M20 x 1.5 or 1/2 NPT ¹⁾	IP65, IP68	Flat cap with 2 screws	Blue lacquered ²⁾	M24 x 1.5, 1/2 NPT
BSZ	Aluminum	M20 x 1.5 or 1/2 NPT ¹⁾	IP65, IP68	Spherical hinged cover with cylinder head screw	Blue lacquered ²⁾	M24 x 1.5, 1/2 NPT
BSZ-H	Aluminum	M20 x 1.5 or 1/2 NPT ¹⁾	IP65, IP68	Raised hinged cover with cylinder head screw	Blue lacquered ²⁾	M24 x 1.5, 1/2 NPT
BSZ-H (2x cable outlet)	Aluminum	2 x M20 x 1.5 or 2 x 1/2 NPT ¹⁾	IP65, IP68	Raised hinged cover with cylinder head screw	Blue lacquered ²⁾	M24 x 1.5
BSZ-H / DH10 ³⁾	Aluminum	M20 x 1.5 or 1/2 NPT ¹⁾	IP65	Raised hinged cover with cylinder head screw	Blue lacquered ²⁾	M24 x 1.5, 1/2 NPT
BSS	Aluminum	M20 x 1.5 or 1/2 NPT ¹⁾	IP65	Spherical hinged cover with clamping lever	Blue lacquered ²⁾	M24 x 1.5, 1/2 NPT
BSS-H	Aluminum	M20 x 1.5 or 1/2 NPT ¹⁾	IP65	Raised hinged cover with clamping lever	Blue lacquered ²⁾	M24 x 1.5, 1/2 NPT
BVS	Stainless steel	M20 x 1.5 ¹⁾	IP65	Precision-cast screw-on lid	Black, electropolished	M24 x 1.5
BSZ-K	Plastic	M20 x 1.5 or 1/2 NPT ¹⁾	IP65	Spherical hinged cover with cylinder head screw	Black	M24 x 1.5
BSZ-HK	Plastic	M20 x 1.5 or 1/2 NPT ¹⁾	IP65	Raised hinged cover with cylinder head screw	Black	M24 x 1.5

Model	Explosion protection				
	Without	Ex I (gas) Zone 1, 2	Ex II (dust) Zone 20, 21, 22	Ex II (gas) Zone 2	Ex II (dust) Zone 22
JS	x	x	-	-	-
BS	x	x	-	-	-
BSZ	x	x	x	x	x
BSZ-H	x	x	x	x	x
BSZ-H (2x cable outlet)	x	x	x	x	x
BSZ-H / DH10 ³⁾	x	x	-	-	-
BSS	x	x	-	-	-
BSS-H	x	x	-	-	-
BVS	x	x	-	-	-
BSZ-K	x	x	-	-	-
BSZ-HK	x	x	-	-	-

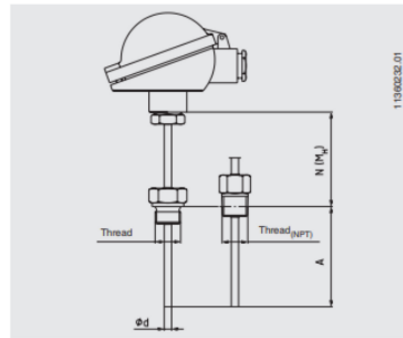
Electrical connection (colour code per IEC/EN 60751)



11300224.01



11300224.01



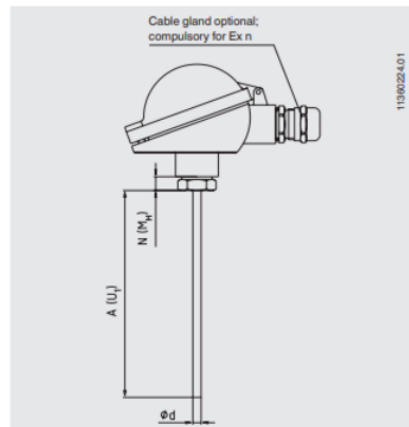
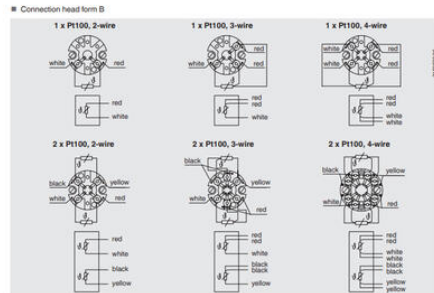
11300224.01

Connection head

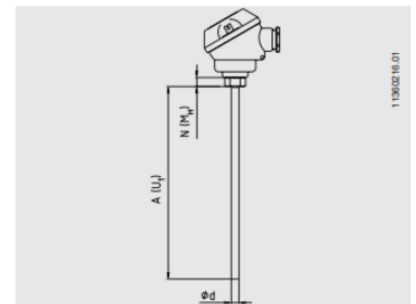
Model	Material	Cable entry thread size	Ingress protection (max.) ¹⁾	Cap	Surface	Connection to neck tube
JS	Aluminum	M18 x 1.5 ¹⁾	IP65	Cover with 2 screws	Blue lacquered ²⁾	M24 x 1.5, 1/2 NPT
BS	Aluminum	M20 x 1.5 or 1/2 NPT ¹⁾	IP65, IP68	Flat cap with 2 screws	Blue lacquered ²⁾	M24 x 1.5, 1/2 NPT
BSZ	Aluminum	M20 x 1.5 or 1/2 NPT ¹⁾	IP65, IP68	Spherical hinged cover with cylinder head screw	Blue lacquered ²⁾	M24 x 1.5, 1/2 NPT
BSZ-H	Aluminum	M20 x 1.5 or 1/2 NPT ¹⁾	IP65, IP68	Raised hinged cover with cylinder head screw	Blue lacquered ²⁾	M24 x 1.5, 1/2 NPT
BSZ-H (2x cable outlet)	Aluminum	2 x M20 x 1.5 or 2 x 1/2 NPT ¹⁾	IP65, IP68	Raised hinged cover with cylinder head screw	Blue lacquered ²⁾	M24 x 1.5
BSZ-H / DH10 ³⁾	Aluminum	M20 x 1.5 or 1/2 NPT ¹⁾	IP65	Raised hinged cover with cylinder head screw	Blue lacquered ²⁾	M24 x 1.5, 1/2 NPT
BSS	Aluminum	M20 x 1.5 or 1/2 NPT ¹⁾	IP65	Spherical hinged cover with clamping lever	Blue lacquered ²⁾	M24 x 1.5, 1/2 NPT
BSS-H	Aluminum	M20 x 1.5 or 1/2 NPT ¹⁾	IP65	Raised hinged cover with clamping lever	Blue lacquered ²⁾	M24 x 1.5, 1/2 NPT
BVS	Stainless steel	M20 x 1.5 ¹⁾	IP65	Precision-cast screw-on lid	Black, electropolished	M24 x 1.5
BSZ-K	Plastic	M20 x 1.5 or 1/2 NPT ¹⁾	IP65	Spherical hinged cover with cylinder head screw	Black	M24 x 1.5
BSZ-HK	Plastic	M20 x 1.5 or 1/2 NPT ¹⁾	IP65	Raised hinged cover with cylinder head screw	Black	M24 x 1.5

Model	Explosion protection				
	Without	Ex I (gas) Zone 1, 2	Ex II (dust) Zone 20, 21, 22	Ex II (gas) Zone 2	Ex II (dust) Zone 22
JS	x	x	-	-	-
BS	x	x	-	-	-
BSZ	x	x	x	x	x
BSZ-H	x	x	x	x	x
BSZ-H (2x cable outlet)	x	x	x	x	x
BSZ-H / DH10 ³⁾	x	x	-	-	-
BSS	x	x	-	-	-
BSS-H	x	x	-	-	-
BVS	x	x	-	-	-
BSZ-K	x	x	-	-	-
BSZ-HK	x	x	-	-	-

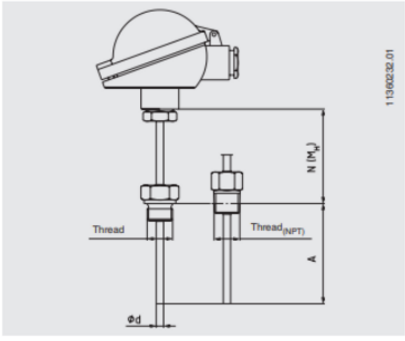
Electrical connection (colour code per IEC/EN 60751)



11300224.01



11300224.01



113100232.01