



Dopyt

TERMOMETRE

Séria F73

F73-3904857

Termometer Ø100 0-60°C 90x13mm L=3m

- Plynové
- Teplota -200°C až 700°C
- Ø100, Ø160 mm
- Pripojenie kapilára
- ATEX, GOST, EAC

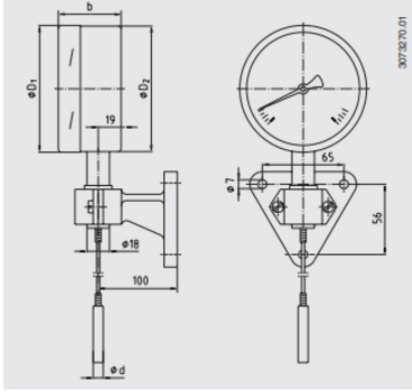


POPIS PRODUKTU

ŠPECIFIKÁCIA

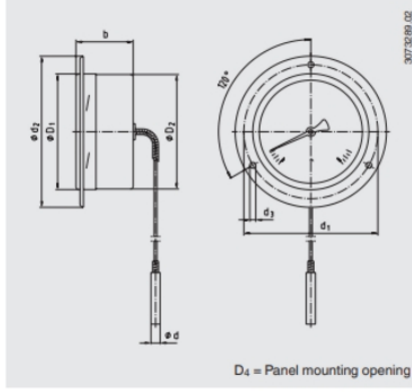
Capillary diameter	2 mm
Capillary length	3000 mm
Insertion length	90 mm
Material Capillary	Nerezová oceľ 316Ti
Materiál kontaktnej časti	Nerezová oceľ 316
Materiál skla	Laminované bezpečnostné sklo
Materiál tela	Nezerová oceľ 1,4301
Plug diameter	13 mm
Prevádzková teplota max.	60 °C
Prevádzková teplota min.	0 °C
Priemer	100 mm
Teplota okolia do	60 °C
Teplota okolia od	-40 °C
Trieda krytia	IP65

Model F73, with capillary and instrument mounting bracket



307.3270.01

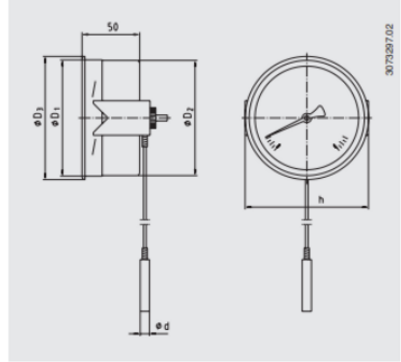
Model F73, with capillary and panel mounting flange



307.3289.02

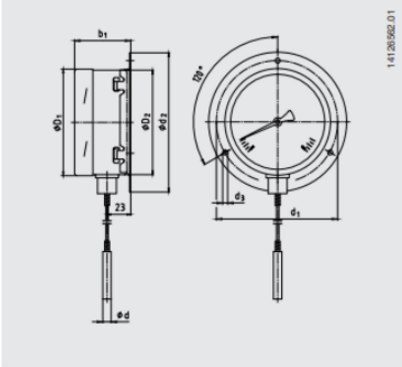
D_4 = Panel mounting opening

Model F73, with capillary and triangular bezel with clamp



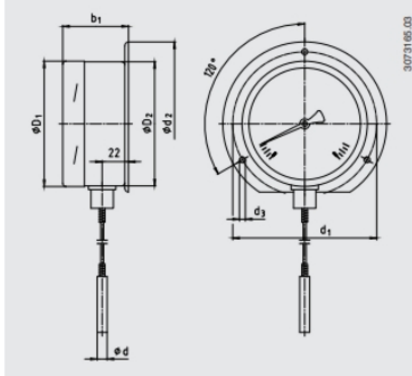
307.3297.02

Model F73.100, with capillary and surface mounting flange



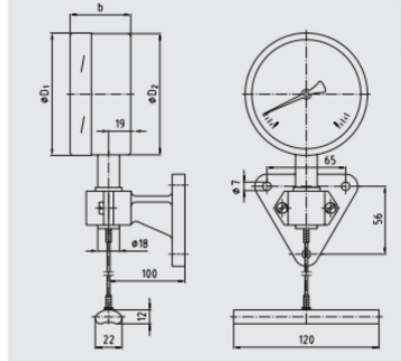
141.26562.01

Model F73.160, with capillary and surface mounting flange



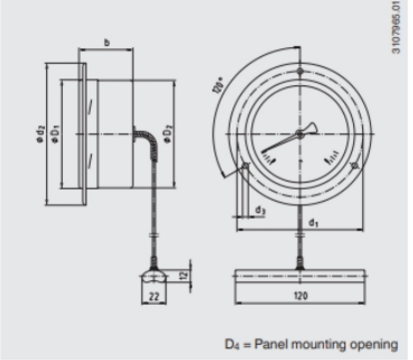
307.3165.03

Model F73, with contact bulb
Capillary and instrument mounting bracket



3107.957.01

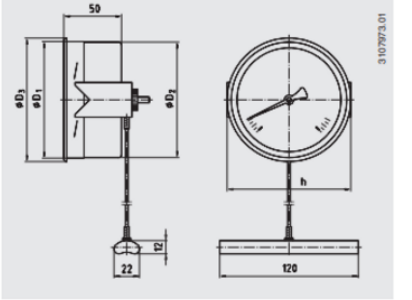
Model F73, with contact bulb
Capillary and panel mounting flange



3107.955.01

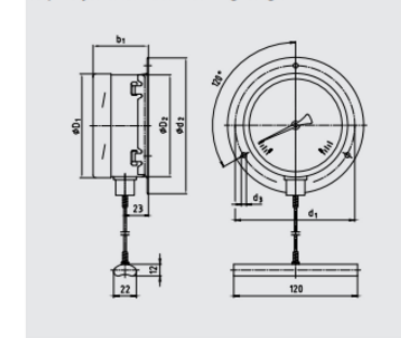
D_4 = Panel mounting opening

Model F73, with contact bulb
Capillary and triangular bezel with clamp



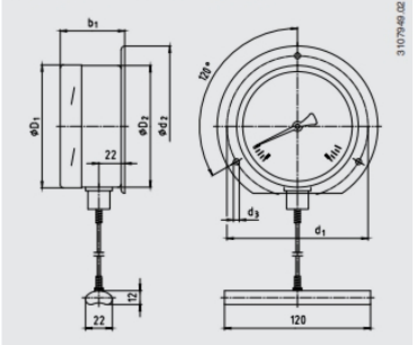
3107.973.01

Model F73.100, with contact bulb
Capillary and surface mounting flange



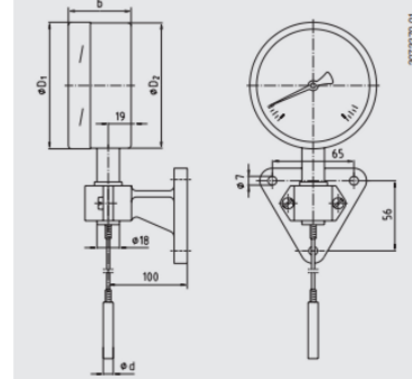
141.26563.01

Model F73.160, with contact bulb
Capillary and surface mounting flange



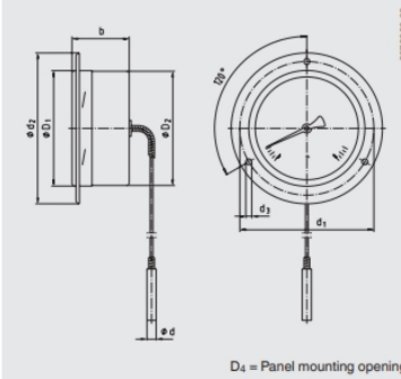
3107.949.02

Model F73, with capillary and instrument mounting bracket



307.3270.01

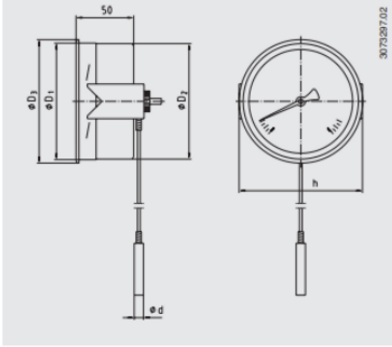
Model F73, with capillary and panel mounting flange



307.3289.02

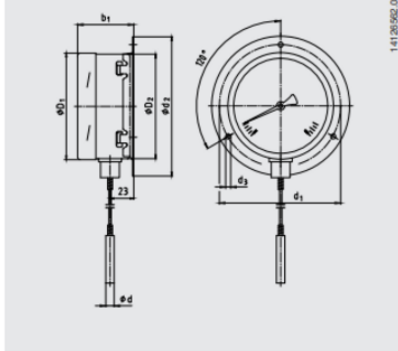
D_4 = Panel mounting opening

Model F73, with capillary and triangular bezel with clamp



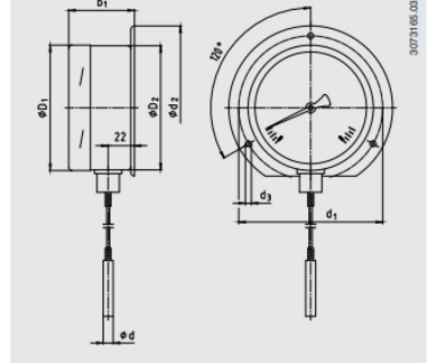
3 1079 287.02

Model F73.100, with capillary and surface mounting flange



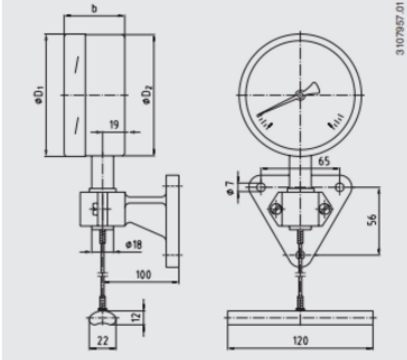
1 41 26 562.01

Model F73.160, with capillary and surface mounting flange



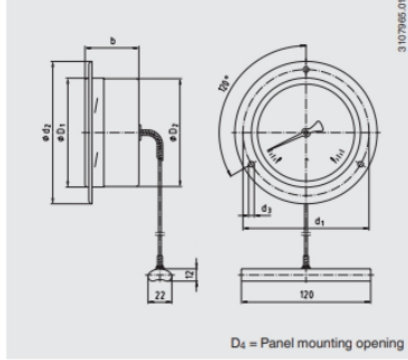
3 07 91 665.03

Model F73, with contact bulb
Capillary and instrument mounting bracket



3 1079 287.01

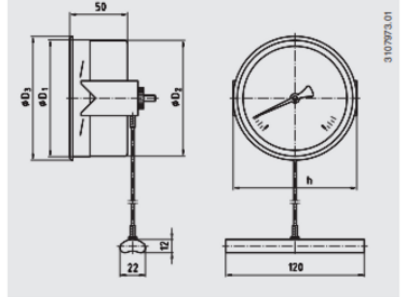
Model F73, with contact bulb
Capillary and panel mounting flange



3 1079 285.01

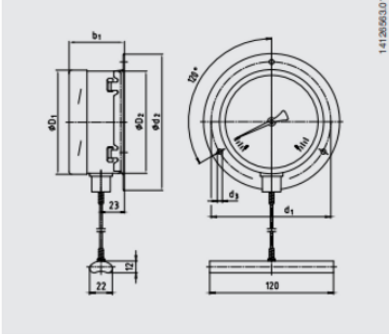
D_4 = Panel mounting opening

Model F73, with contact bulb
Capillary and triangular bezel with clamp



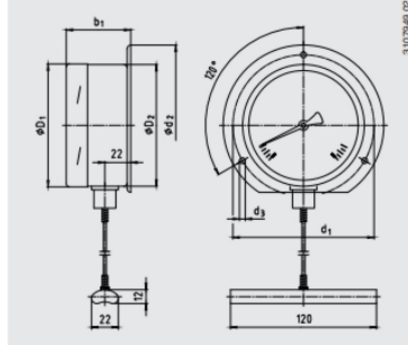
3 1079 73.01

Model F73.100, with contact bulb
Capillary and surface mounting flange



1 41 26 563.01

Model F73.160, with contact bulb
Capillary and surface mounting flange



3 1079 49.02